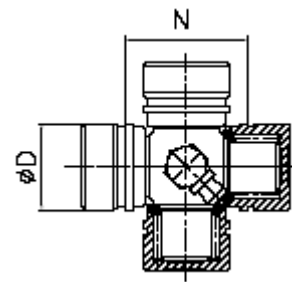
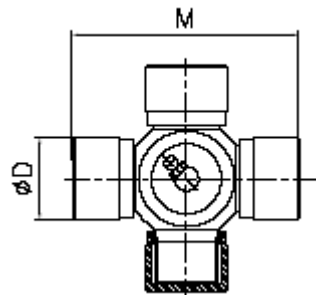
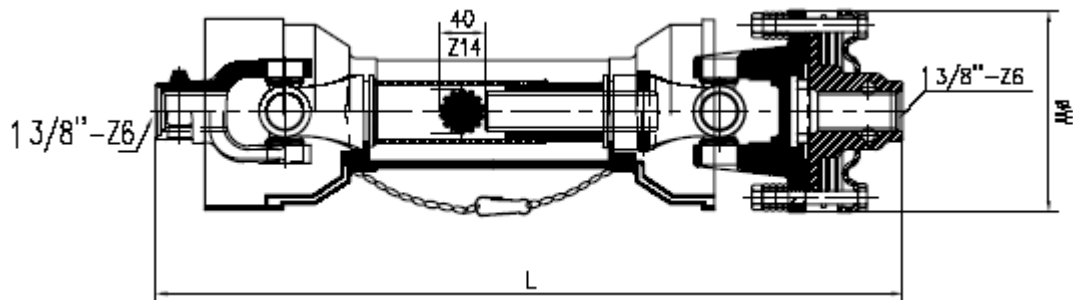
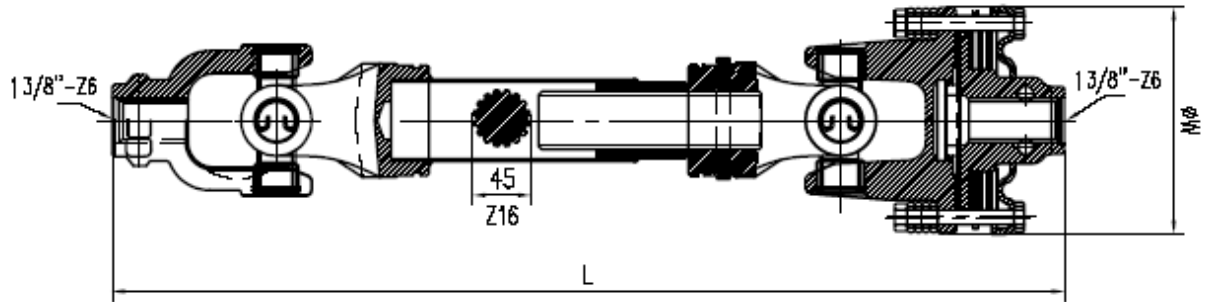


PTO DRIVE SHAFT

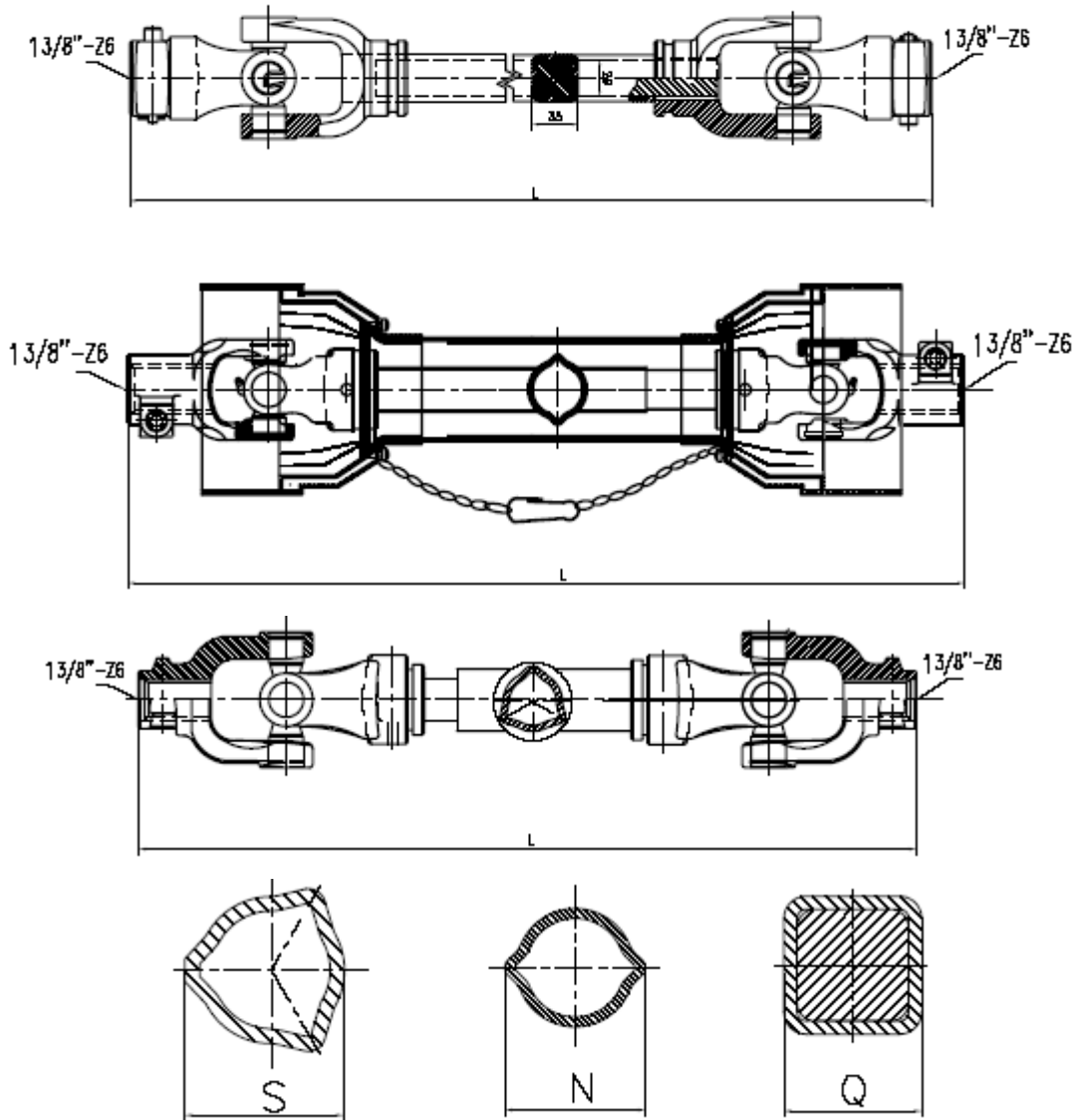
EVER-POWER TRANSMISSION CO., LTD.

★ Clutch U-joint ass'y



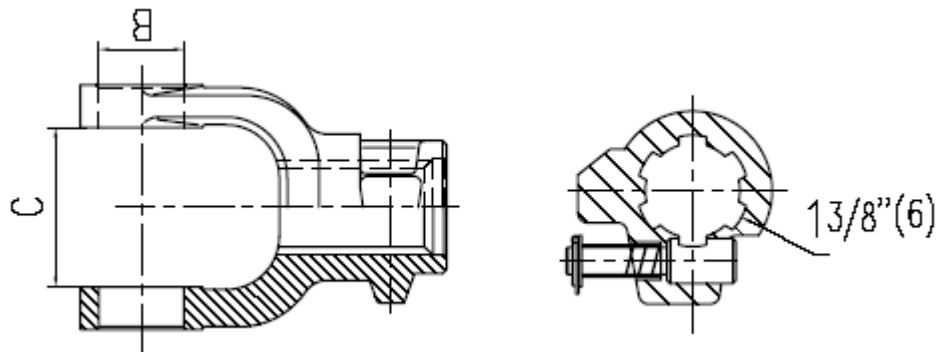
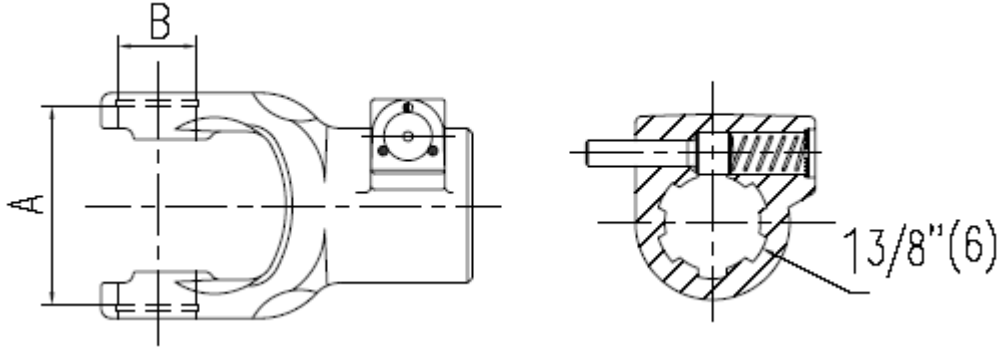
| No. | Series No. | L | M | N | D | SPLINE(Z-m-a-Ds) | W |
|-----|----------------|------|-------|----|-------|------------------|-----|
| 1 | ZXCD-YL160 | 620~ | 74.6 | | 27 | 30-26-6-6(矩形花键) | 160 |
| 2 | ZXCD-38HP-000 | 620~ | 72.9 | | 28 | 14-2.65-30-40 | 180 |
| 3 | ZXCD-YL03-000 | 700~ | 106.3 | | 30.18 | 14-2.65-30-40 | 180 |
| 4 | ZXCD-50HP-000 | 750~ | | 57 | 32 | 14-2.65-30-40 | 180 |
| 5 | ZXCD-90HP-000 | 750~ | 106.3 | | 34.93 | 16-2.5-20-45 | 180 |
| 6 | ZXCD-100HP-000 | 750~ | 105.6 | | 38 | 16-2.5-20-45 | 180 |
| 7 | | | | | | | |

★ Single U-joint ass'y



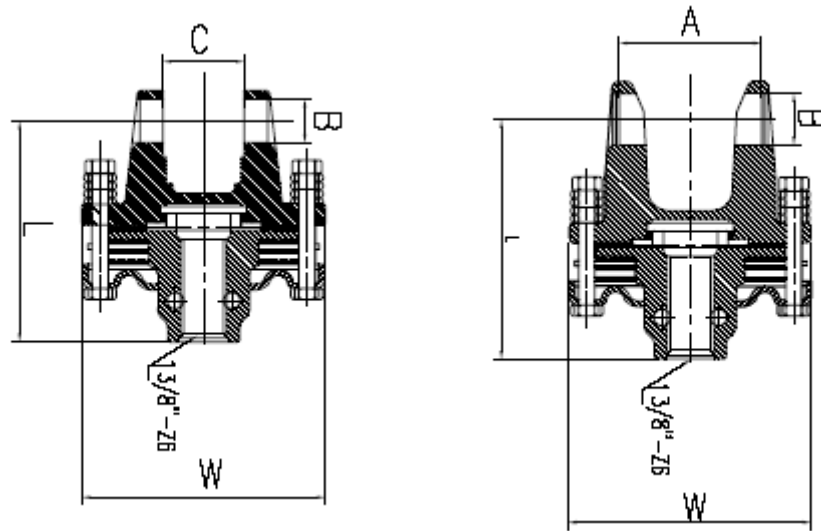
| No. | Series No. | L | U-Joint | S(inner/outer) | N(inner/outer) | Q(inner/outer) |
|-----|----------------|------|-------------|-----------------------|----------------|----------------|
| 1 | ZXCD-GKN001 | 600~ | 23.8X61.3 | | 41.5/49 | |
| 2 | ZXCD-YL03-001 | 600~ | 30.18X106.3 | 44.56/51.15 | | |
| 3 | ZXCD-38HP-001 | 600~ | 28X80 | | | 28/35 |
| 4 | ZXCD-50HP-001 | 600~ | 32X57 | Spline(14-2.65-30-40) | | |
| 5 | ZXCD-90HP-001 | 600~ | 34.93X106.3 | Spline(16-2.5-20-45) | | |
| 6 | ZXCD-100HP-001 | 720~ | 38X105.6 | Spline(16-2.5-20-45) | | |

★ Quick release yokes



| No. | Series No. | A | B | C-3 | Z |
|-----|-----------------|-------|-------|-----|-----------|
| 1 | ZXCD-20.10.00 | 61.3 | 23.82 | | 1 3/8"-6 |
| 2 | ZXCD-21.10.00 | 74.6 | 27 | | 1 3/8"-6 |
| 3 | ZXCD-K-160.29.7 | 72.9 | 28 | | 1 3/8"-6 |
| 4 | ZXCD-K-160 | 72.9 | 28 | | 35-29-6-6 |
| 5 | ZXCD-A-160 | 72.9 | 28 | | 38-32-6-6 |
| 6 | ZXCD-38HP.1 | 80 | 28 | | 1 3/8"-6 |
| 7 | ZXCD-YL03.1 | 106.5 | 30.18 | | 1 3/8"-6 |
| 8 | ZXCD-50HP.1 | | 32 | 57 | 1 3/8"-6 |
| 9 | ZXCD-90HP.1 | 106.5 | 34.93 | | 1 3/8"-6 |
| 10 | ZXCD-K-400.29.7 | 99 | 35 | | 1 3/8"-6 |
| 11 | ZXCD-K-400 | 99 | 35 | | 35-29-6-6 |
| 12 | ZXCD-A-400 | 99 | 35 | | 38-32-6-6 |
| 13 | ZXCD-100HP.1 | 105.6 | 38 | | 1 3/8"-6 |
| | | | | | |

★ Friction clutches



| No. | Series No. | B | A | C-3 | W | L | Plate(磨 擦 片) QTY |
|-----|-----------------|-------|-------|-----|-----|-------|--------------------------|
| 1 | ZXCD-YL160-LHQ | 27 | 74.6 | | 160 | 156.2 | 2 |
| 2 | ZXCD-YL03-LHQ.2 | 30.18 | 92 | | 180 | 173.6 | 2 |
| 3 | ZXCD-YL03-LHQ.4 | 30.18 | 106.5 | | 180 | 173.6 | 4 |
| 4 | ZXCD-50HP-LHQ | 32 | | 57 | 180 | 163.2 | 4 |
| 5 | ZXCD-90HP-LHQ | 34.93 | 106.5 | | 180 | 177.1 | 4 |
| 6 | ZXCD-100HP-LHQ | 38 | 105.6 | | 180 | 177.1 | 4 |

★ Wide angle joint

