

MOTORS & PUMPS

ENTERPRISE BRIEF

It's a fair integrative company with scientific research, production and sale, which possesses advance producing and testing equipments and strong technology team. The company always strictly follows the ISO9001 quality management system to manage the production which guarantees the good quality.

We always adhere to the principle of "Company survives on high quality and honesty, famous brand depends on quality, market depends on famous brand". Our products are welcome and popular in many foreign markets ,such as Europe, South America ,South east Asia, , Middle East, etc. By our excellent quality and perfect after service, we would like to cooperate with you and your esteemed company, as a trustable partner, for a enjoyable and great business!

INDEX

Electric Motors

ALUMINIUM HOUSING MOTORS

MS	Series Three-Phase Asynchronous Motors	03
MC	Series Single-Phase Capacitor Start Asynchronous Motors	05
ML	Series Single-Phase Dual-Capacitor Asynchronous Motors	06
MY	Series Single-Phase Capacitor Running Asynchronous Motors	08

CAST IRON HOUSING MOTORS

Y	Series Three-Phase Asynchronous Motors	10
Y2	Series Three-Phase Asynchronous Motors	12
YC	Series-Single Phase Capacitor Start Asynchronous Motors	14
YL	Series Single-Phase Dual-Capacitor Asynchronous Motors	16
YCL	Series Single-Phase Dual-Capacitor Asynchronous Motors	18

OTHER MOTORS

AC	Series Air Compressor Motor	19
CY	Series Air Blower	20
D.C	Series Motors	21
VACUUM DIAPHRAGM	Series D.C Pump	22

Water Pumps

QB	Series Peripheral Water Pump	25	FCP	Series Swimming Pool Pump	37
IDB	Series Peripheral Water Pump	26	JET-S	Series Self-Priming Pump	38
DB	Series Peripheral Water Pump	27	JET-L	Series Self-Priming Pump	39
LQ/BA3	Series Peripheral Water Pump	28	JET-P	Series Self-Priming Pump	40
GP	Series Self-Priming Pump	29	JSP	Series Self-Priming Pump	41
PS	Series Self-Priming Pump	30	SP	Series Self-Priming Pump	42
CPM	Series Centrifugal Pump	31	PP	Series Self-Priming Pump	43
DTM	Series Centrifugal Pump	32	JETDP	Series Self-Priming Deep Well Pump	44
PX	Series Centrifugal Pump	33	AUTO	Series Automatic Booster System	45
SCM	Series Centrifugal Pump	34	AUJETDP	Series Automatic Deep Well Pump	46
SCM2	Series Dual Stages Centrifugal Pump	35	AUDB AUGP AUPS	Series Automatic Clean Water Pump	47
DK	Series Centrifugal Pump	36			

ELECTRIC MOTORS



MS Series Three-Phase Asynchronous Motors WITH ALUMINIUM HOUSING

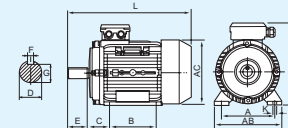
MS series aluminium housing three-phase asynchronous motors, with latest design in entirety are made of selected quality materials and conform to the IEC standard.

MS motors have good performance, safe and reliable operation, nice appearance, and can be maintained very conveniently, with low noises, little vibration and light weight and simple construction. These series motors can be used for general drive.

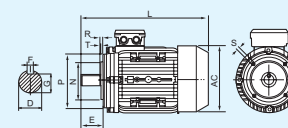
OPERATING CONDITIONS

- Ambient temperature: $-15^{\circ}\text{C} \leq \theta \leq 40^{\circ}\text{C}$
- Above sea level: not exceed 1000m
- Rated voltage: $\pm 5\%$
- Protection class: IP44/IP54/IP55
- Insulation class: B/F
- Cooling method: ICO141
- Duty: continuous(S)

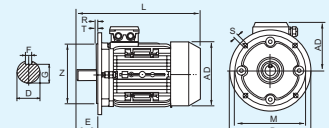
IMB3



IMB14



IMB5



MS SERIES MOTOR OVERALL & INSTALLATION DIMENSIONS

Frame size	Mounting Dimensions(mm)																			Overall Dimensions (mm)						
	Installation Size (mm)						IMB14						IMB5													
	A	B	C	D	E	F	G	H	K	M	N	P	R	S	T	M	N	P	R	S	T	AB	AC	AD	HD	L
MS56	90	71	36	9	20	3	7.2	56	5.8	65	50	80	0	M5	2.5	98	80	120	0	7	3	110	120	110	155	195
MS63	100	80	40	11	23	4	8.5	63	7	75	60	90	0	M5	2.5	115	95	140	0	10	3	130	130	115	165	230
MS71	112	90	45	14	30	5	11	71	7	85	70	105	0	M6	2.5	130	110	160	0	10	3.5	145	145	125	185	255
MS80	125	100	50	19	40	6	15.5	80	10	100	80	120	0	M6	3	165	130	200	0	12	3.5	160	165	135	215	295
MS90S	140	100	56	24	50	8	20	90	10	115	95	140	0	M8	3	165	130	200	0	12	3.5	180	185	145	235	335
MS90L	140	125	56	24	50	8	20	90	10	115	95	140	0	M8	3	165	130	200	0	12	3.5	180	215	145	235	360
MS100L	160	140	63	28	60	8	24	100	12	130	110	160	0	M8	3.5	215	180	250	0	15	4	205	240	170	255	380
MS112M	190	140	70	28	60	8	24	112	12	130	110	160	0	M10	3.5	215	180	250	0	15	4	245	240	180	285	400
MS132S	216	140	89	38	80	10	33	132	12	165	130	200	0	M10	4	265	230	300	0	15	4	280	275	195	325	475
MS132M	216	178	89	38	80	10	33	132	12	165	130	200	0	M10	4	265	230	300	0	15	4	280	275	195	325	515
MS160M	254	210	108	43	110	12	37	160	15	215	180	250	0	M12	4	300	250	350	0	15	5	320	330	255	420	615
MS160L	254	254	108	42	110	12	37	160	15	215	180	250	0	M12	4	300	250	350	0	15	5	320	330	255	420	670

TECHNICAL DATA AT 50 HZ

Model	Power		Voltage (V)	Current (A)	Speed (r.p.m)	Eff (%)	Power factor	Locked rotor torque Rated torque	Locked rotor current rated current	Max torque Rated torque
	KW	HP								
MS561-2	0.09	0.12	220/380	0.57/0.33	2800	62	0.68	2.3	2.4	6
MS562-2	0.12	1/6	220/380	0.67/0.38	2800	67	0.71	2.3	2.4	6
MS631-2	0.18	1/4	220/380	0.91/0.53	2800	69	0.75	2.2	2.4	6
MS632-2	0.25	1/3	220/380	1.17/1.68	2800	72	0.78	2.2	2.4	6
MS711-2	0.37	1/2	220/380	1.65/0.95	2800	73.5	0.8	2.2	2.4	6
MS712-2	0.55	3/4	220/380	2.33/1.35	2800	75.5	0.82	2.2	2.4	6
MS801-2	0.75	1	220/380	3.03/1.75	2800	76.5	0.85	2.2	2.4	6
MS802-2	1.1	1.5	220/380	4.42/2.55	2800	77	0.85	2.2	2.4	6
MS90S-2	1.5	2	220/380	6.01/3.48	2800	77	0.85	2.2	2.4	6
MS90L-2	2.2	3	220/380	8.61/4.98	2800	78	0.86	2.2	2.4	6
MS100L-2	3	4	220/380	11.1/6.4	2870	82	0.87	2.2	2.3	6
MS112M-2	4	5.5	380/660	8.2/4.7	2890	85.5	0.87	2.2	2.3	7
MS132S1-2	5.5	7.5	380/660	11/6.3	2900	85.5	0.88	2	2.2	7
MS132S2-2	7.5	10	380/660	15/8.6	2900	86.2	0.88	2	2.2	7
MS160M1-2	11	15	380/660	21.3/12.2	2930	88	0.88	2	2.2	7
MS160M2-2	15	20	380/660	28.7/16.4	2930	89	0.89	2	2.2	7
MS160L-2	18.5	25	380/660	34.6/19.8	2930	90	0.9	2	2.2	7
MS561-4	0.06	0.08	220/380	0.49/0.28	1400	56	0.58	2.1	2.4	6
MS562-4	0.09	0.12	220/380	0.67/0.39	1400	58	0.61	2.1	2.4	6
MS631-4	0.12	1/6	220/380	0.84/0.48	1400	60	0.63	2.2	2.4	6
MS632-4	0.18	1/4	220/380	1.12/0.66	1400	64	0.66	2.2	2.4	6
MS711-4	0.25	1/3	220/380	1.44/0.83	1400	67	0.68	2.2	2.4	6
MS712-4	0.37	1/2	220/380	1.94/1.12	1400	69.5	0.72	2.2	2.4	6
MS801-4	0.55	3/4	220/380	2.69/1.56	1400	73.5	0.73	2.2	2.4	6
MS802-4	0.75	1	220/380	3.48/2.01	1400	75.5	0.75	2.2	2.4	6
MS90S-4	1.1	1.5	220/380	4.74/2.75	1400	78	0.78	2.2	2.4	6
MS90L-4	1.5	2	220/380	6.31/3.65	1400	79	0.79	2.2	2.4	6
MS100L1-4	2.2	3	220/380	8.6/5.0	1430	81	0.82	2.2	2.3	5.5
MS100L2-4	3	4	220/380	11.7/6.8	1430	82.5	0.81	2.2	2.2	5.5
MS112M-4	4	5.5	380/660	8.8/5.1	1440	84.5	0.82	2.2	2.3	7
MS132S-4	5.5	7.5	380/660	12/6.9	1440	85.5	0.84	2.2	2.2	7
MS132M-4	7.5	10	380/660	15/8.6	1440	87	0.85	2.2	2.2	7
MS160M-4	11	15	380/660	22.3/12.7	1460	88	0.85	2	2.2	7
MS160L-4	15	20	380/660	30/17.1	1460	89	0.85	2	2.2	7
MS90S-6	0.75	1	220/380	4.0/2.3	910	72.5	0.7	2	2.2	6
MS90L-6	1.1	1.5	220/380	5.5/3.2	910	73.5	0.72	2	2.2	6
MS100L-6	1.5	2	220/380	6.9/4.0	940	77.5	0.74	2	2.3	7
MS112M-6	2.2	3	220/380	9.7/5.6	940	80.5	0.74	2	2.2	6
MS132S-6	3	4	220/380	12.4/7.2	960	83	0.76	2	2	6.5
MS132M1-6	4	5.5	380/660	9.4/5.4	960	84	0.77	2	2	6.5
MS132M2-6	5.5	7.5	380/660	13/7.5	960	85.3	0.78	2	2	6.5
MS160M-6	7.5	10	380/660	16.5/9.43	970	86	0.8	2	2	6.5
MS160L-6	11	15	380/660	24.1/13.8	970	87.5	0.79	2	2	6.5
MS132S-8	2.2	3	220/380	10/5.8	710	85.5	0.71	2	2	5.5
MS132M-8	3	4	220/380	13.3/7.7	710	82	0.72	2	2	5.5
MS160M1-8	4	5.5	380/660	10.2/5.8	720	81	0.73	2	2	6
MS160M2-8	5.5	7.5	380/660	13.6/7.8	720	83	0.74	2	2	6
MS160L-8	7.5	10	380/660	17.7/10.1	720	85.5	0.75	2	2	6

415V, 230V/400V, 60Hz etc. Models are available on request.



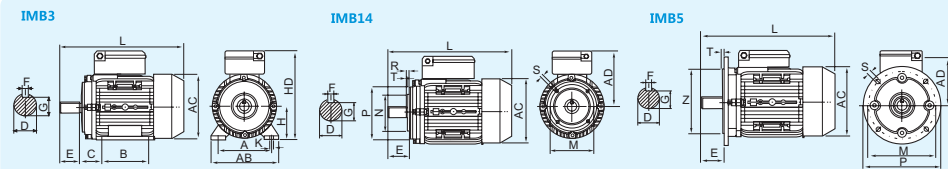
MC Series Single-Phase Capacitor Start Asynchronous Motors WITH ALUMINIUM HOUSING

MC Series Aluminium housing single-phase capacitor start asynchronous motors, with latest design in entirety, are made of quality materials and meet the relative rules of IEC standard.

MC motors have good performance, safe and reliable operation, nice appearance, and can be maintained very conveniently, while with low noise, little vibration, light weight and simple construction. This series motors can be used on air compressor, pumps, refrigeration, medical apparatus and instruments, and many other machines that need full-load start.

OPERATING CONDITIONS

- Ambient temperature: $-15^{\circ}\text{C} \leq \theta \leq 40^{\circ}\text{C}$
- Above sea level: not exceed 1000m
- Rated voltage: $\pm 5\%$
- Protection class: IP44/IP54/IP55
- Insulation class: B/F
- Cooling method: IC0141
- Duty: continuous(S)



MC SERIES MOTOR OVERALL & INSTALLATION DIMENSIONS

Frame size	Mounting Dimensions(mm)																				Overall Dimensions (mm)					
	Installation Size (mm)										IMB14					IMB5										
	A	B	C	D	E	F	G	H	K	M	N	P	R	S	T	M	N	P	R	S	T	AB	AC	AD	HD	L
MC71	112	90	45	14	30	5	11	71	7	85	70	105	0	M6	2.5	130	110	160	0	10	3.5	145	145	130	200	255
MC80	125	100	50	19	40	6	15.5	80	10	100	80	120	0	M6	3	165	130	200	0	12	3.5	160	160	160	240	295
MC90S	140	100	56	24	50	8	20	90	10	115	95	140	0	M8	3	165	130	200	0	12	3.5	180	180	175	260	335
MC90L	140	125	56	24	50	8	20	90	10	115	95	140	0	M8	3	165	130	200	0	12	3.5	180	180	175	260	360
MC100L	160	140	63	28	60	8	24	100	12	-	-	-	-	-	215	180	250	0	15	4	205	205	200	280	380	
MC112M	190	140	70	28	60	8	24	112	12	-	-	-	-	-	215	180	250	0	15	4	245	240	180	310	400	

TECHNICAL DATA AT 50 HZ

Model	Power		Voltage (V)	Current (A)	Speed (r.p.m)	Eff (%)	Power factor	Locked rotor torque Rated torque	Locked rotor current rated current	Start current (A)
	KW	HP								
MC711-2	0.16	1/4	220	1.899	2800	60	0.72	3	1.8	12
MC712-2	0.25	1/3	220	2.4	2800	64	0.74	3	1.8	15
MC801-2	0.37	1/2	220	3.36	2800	65	0.77	2.8	1.8	21
MC802-2	0.55	3/4	220	4.65	2800	68	0.79	2.8	1.8	29
MC90S-2	0.75	1	220	6.09	2800	70	0.8	2.5	1.8	37
MC90L-2	1.1	1.5	220	8.68	2800	72	0.8	2.5	1.8	60
MC100L1-2	1.5	2	220	11.38	2900	74	0.81	2.5	1.8	80
MC100L2-2	2.2	3	220	16.48	2900	75	0.81	2.2	1.8	120
MC112M-2	3	4	220	21.88	2900	76	0.82	2.2	1.8	150
MC711-4	0.12	1/6	220	1.88	1400	50	0.58	3	1.8	9
MC712-4	0.18	1/4	220	2.49	1400	53	0.62	2.8	1.8	12
MC801-4	0.25	1/3	220	3.11	1400	58	0.63	2.8	1.8	15
MC802-4	0.37	1/2	220	4.24	1400	62	0.64	2.5	1.8	21
MC90S-4	0.55	3/4	220	5.49	1400	66	0.69	2.5	1.8	29
MC90L-4	0.75	1	220	6.87	1400	68	0.73	2.5	1.8	37
MC100L1-4	1.1	1.5	220	9.52	1450	71	0.74	2.5	1.8	60
MC100L2-4	1.5	2	220	12.45	1450	73	0.75	2.5	1.8	80
MC112M-4	2.2	3	220	17.78	1450	74	0.76	2.2	1.8	120

110V, 110V/220V, 60Hz etc. Models are available on request.



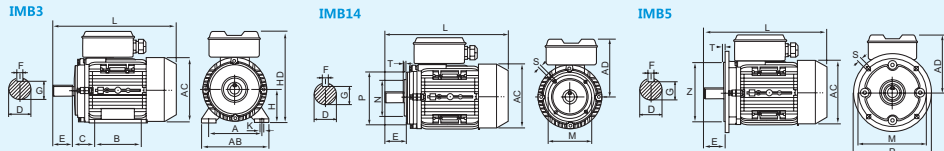
ML Series Single-Phase Dual-Capacitor Asynchronous Motors WITH ALUMINIUM HOUSING

ML series aluminium housing single-phase dual-capacitor asynchronous motors, with latest design in entirety, are made of selected quality materials and conform to the IEC standard.

ML motor have good performance, safe and reliable operation, nice appearance, and can be maintained very conveniently, while with low noise, little vibration and at the same time of light weight and simple construction. The competitive performance is good, the multiple of starting torque is 1.8-2.5. These series motors are suitable for the occasion where there requirements of big starting torque and high over load, such as air-compressors, pumps, fans, medical apparatus and instruments, and many other small machines.

OPERATING CONDITIONS

- Ambient temperature: $-15^{\circ}\text{C} \leq \theta \leq 40^{\circ}\text{C}$
- Above sea level: not exceed 1000m
- Rated voltage: $\pm 5\%$
- Protection class: IP44/IP54/IP55
- Insulation class: B/F
- Cooling method: IC0141
- Duty: continuous(S)



ML SERIES MOTOR OVERALL & INSTALLATION DIMENSIONS

Frame size	Mounting Dimensions(mm)																			Overall						
	Installation Size (mm)									IMB14					IMB5					Dimensions (mm)						
	A	B	C	D	E	F	G	H	K	M	N	P	R	S	T	M	N	P	R	S	T	AB	AC	AD	HD	L
ML71	112	90	45	14	30	5	11	71	7	85	70	105	0	M6	2.5	130	110	160	0	10	3.5	145	145	130	200	255
ML80	125	100	50	19	40	6	15.5	80	10	100	80	120	0	M6	3	165	130	200	0	12	3.5	160	160	160	240	295
ML90S	140	100	56	24	50	8	20	90	10	115	95	140	0	M8	3	165	130	200	0	12	3.5	180	180	175	260	335
ML90L	140	125	56	24	50	8	20	90	10	115	95	140	0	M8	3	165	130	200	0	12	3.5	180	180	175	260	360
ML100L	160	140	63	28	60	8	24	100	12	-	-	-	-	-	-	215	180	250	0	15	4	205	205	200	280	380

TECHNICAL DATA AT 50 HZ

Model	Power		Voltage (V)	Current (A)	Speed (r.p.m)	Eff (%)	Power factor	Locked rotor torque Rated torque	Locked rotor current rated current	Start current(A)
	KW	HP								
ML711-2	0.37	1/2	220	2.73	2800	67	0.92	2.3	1.8	16
ML712-2	0.55	3/4	220	3.88	2800	70	0.92	2.5	1.8	21
ML801-2	0.75	1	220	5.15	2800	72	0.92	2.5	1.8	30
ML802-2	1.1	1.5	220	7.02	2800	75	0.95	2.5	1.8	40
ML90S-2	1.5	2	220	9.44	2800	76	0.95	2.5	1.8	55
ML 90L-2	2.2	3	220	13.67	2800	77	0.95	2.5	1.8	80
ML 100L-2	3	4	220	18.2	2800	79	0.95	2.5	1.8	110
ML711-4	0.25	1/3	220	1.99	1400	62	0.92	2.5	1.8	12
ML712-4	0.37	1/2	220	2.81	1400	65	0.92	2.5	1.8	16
ML801-4	0.55	3/4	220	4	1400	68	0.92	2.5	1.8	21
ML802-4	0.75	1	220	5.22	1400	71	0.92	2.5	1.8	30
ML90S-4	1.1	1.5	220	7.2	1400	73	0.95	2.5	1.8	40
ML 90L-4	1.5	2	220	9.57	1400	75	0.95	2.5	1.8	55
ML 100L1-4	2.2	3	220	13.9	1400	76	0.95	2.5	1.8	80
ML 100L2-4	3	4	220	18.6	1400	77	0.95	2.5	1.8	110
ML 112M-4	4	5.5	220	20.6	1400	79	0.97	2.5	1.8	120

110V, 110V/220V, 60Hz etc. Models are available on request.



MY Series Single-Phase Capacitor Running Asynchronous Motors WITH ALUMINIUM HOUSING

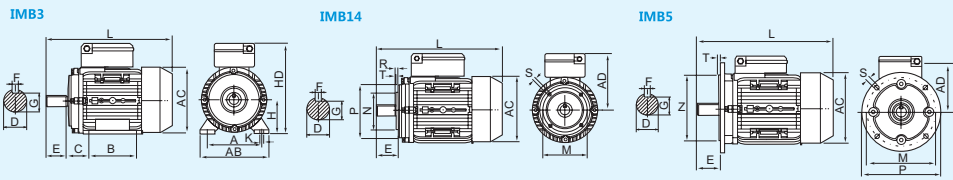
MY Series Aluminium housing single-phase capacitor-run asynchronous motors, with latest design in entirety, are made of quality materials and meet the relative rules of IEC standard.

MY motors have good performance, safe and reliable operation, nice appearance, and can be maintained very conveniently, while with low noises, little vibration, light weight and simple construction.

These series motors are suitable for the occasion where there requirement of starting torque is low and long-term continuous working, such as home electric appliance, pumps, fans and recording meters, etc.

OPERATING CONDITIONS

- Ambient temperature: $-15^{\circ}\text{C} \leq \theta \leq 40^{\circ}\text{C}$
- Above sea level: not exceed 1000m
- Rated voltage: $\pm 5\%$
- Protection class: IP44/IP54/IP55
- Insulation class: B/F
- Cooling method: ICO141
- Duty: continuous(S)



MY SERIES MOTOR OVERALL & INSTALLATION DIMENSIONS

Frame Size	Mounting Dimensions(mm)																			Overall						
	Installation Size (mm)									IMB14					IMB5					Dimensions (mm)						
	A	B	C	D	E	F	G	H	K	M	N	P	R	S	T	M	N	P	R	S	T	AB	AC	AD	HD	L
MY63	100	80	40	11	23	4	8.5	63	7	75	60	90	0	M5	2.5	115	95	140	0	10	3	130	130	125	180	230
MY71	112	90	45	14	30	5	11	71	7	85	70	105	0	M6	2.5	130	110	160	0	10	3.5	145	145	130	200	255
MY80	125	100	50	19	40	6	15.5	80	10	100	80	120	0	M6	3	165	130	200	0	12	3.5	160	160	160	240	295
MY90S	140	100	56	24	50	8	20	90	10	115	95	140	0	M8	3	165	130	200	0	12	3.5	180	180	175	260	335
MY90L	140	125	56	24	50	8	20	90	10	115	95	140	0	M8	3	165	130	200	0	12	3.5	180	180	175	260	360

TECHNICAL DATA AT 50 HZ

Model	Power		Voltage (V)	Current (A)	Speed (r.p.m)	Eff (%)	Power factor	Locked rotor torque Rated torque	Locked rotor current rated current	Start current(A)
	KW	HP								
MY631-2	0.18	1/4	220	1.48	2800	60	0.92	0.4	1.7	5
MY632-2	0.25	1/3	220	1.96	2800	63	0.92	0.4	1.7	7
MY711-2	0.37	1/2	220	2.73	2800	67	0.92	0.35	1.7	10
MY712-2	0.55	3/4	220	3.88	2800	70	0.92	0.35	1.7	15
MY801-2	0.75	1	220	5.15	2800	72	0.92	0.33	1.7	20
MY802-2	1.1	1.5	220	7.02	2800	75	0.95	0.33	1.7	30
MY90S-2	1.5	2	220	9.44	2800	76	0.95	0.3	1.7	45
MY90L-2	2.2	3	220	13.67	2800	77	0.95	0.3	1.7	65
MY631-4	0.12	1/6	220	1.1	1400	55	0.9	0.4	1.7	3.5
MY632-4	0.18	1/4	220	1.62	1400	56	0.9	0.4	1.7	5
MY711-4	0.25	1/3	220	2.02	1400	61	0.92	0.35	1.7	7
MY712-4	0.37	1/2	220	2.95	1400	62	0.92	0.35	1.7	10
MY801-4	0.55	3/4	220	4.25	1400	64	0.92	0.35	1.7	15
MY802-4	0.75	1	220	5.45	1400	68	0.92	0.32	1.7	20
MY90S-4	1.1	1.5	220	7.45	1400	71	0.95	0.32	1.7	30
MY90L-4	1.5	2	220	9.83	1400	73	0.95	0.3	1.7	45

110V, 110V/220V, 60Hz etc. Models are available on request.



YC Series-Single Phase Capacitor Start Asynchronous Motor WITH CAST IRON HOUSING

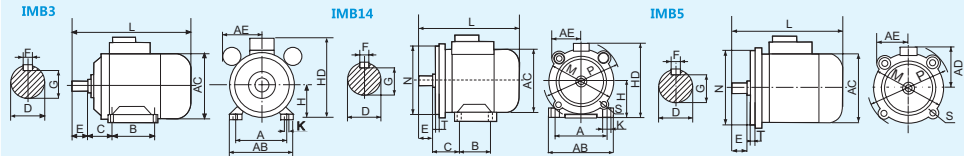
YC series motors are totally enclosed fan cooled (TEFC) heavy-duty single-phase induction motors. The mounting dimension is fully conformed to IEC standard.

YC series motors are integrated with up-to-date design, best quality materials construction, and possess the feature of pleasant-looking appearance, outstanding performance, easy maintenance. They also concentrate the advantages of large starting torque, smooth turning, low temperature rising, low noise and great overload performance.

YC series motors are suitable for powering small type drilling machines and water pumps, especially for family workshops where only single-phase current supply is available.

OPERATING CONDITIONS

- **Ambient temperature:** $-15^{\circ}\text{C} \leq \theta \leq 40^{\circ}\text{C}$
- **Above sea level:** not exceed 1000m
- **Rated voltage:** $\pm 5\%$
- **Protection class:** IP44
- **Insulation class:** Class B / Class F
- **Cooling method:** ICO141
- **Duty:** continuous(S)



YC SERIES MOTOR OVERALL & INSTALLATION DIMENSIONS

Frame size	Mounting Dimensions(mm)														Overall Dimensions (mm)						
	A	B	C	D	E	F	G	H	K	M	N	P	R	S	T	AB	AC	AD	AE	HD	L
YC80	125	100	50	19	40	6	15.5	80	10	165	130	200	0	12	3.5	160	165	120	110	200	310
YC90S	140	100	56	24	50	8	20	90	10	165	130	200	0	12	3.5	180	185	140	120	240	355
YC90L	140	125	56	24	50	8	20	90	10	165	130	200	0	12	3.5	180	185	140	120	240	385
YC100L	160	140	63	28	60	8	24	100	12	215	180	250	0	15	4	205	220	145	130	260	415
YC112M	190	140	70	28	60	8	24	112	12	215	180	250	0	15	4	245	250	160	140	300	440
YC132S	216	140	89	38	80	10	33	132	12	265	230	300	0	15	4	280	262	210	150	350	470

TECHNICAL DATA AT 50 HZ

Model	Power		Voltage (V)	Current (A)	Speed (r.p.m)	Eff (%)	Power factor	Starting Torque Rated torque	Starting Current rated current	Max torque Rated torque
	KW	HP								
YC80A-2	0.37	1/2	220	3.7	2880	62	0.73	2.8	6.5	1.8
YC80B-2	0.55	3/4	220	5.3	2880	65	0.73	2.8	6.5	1.8
YC80C-2	0.75	1	220	6.7	2880	68	0.75	2.4	6.5	1.8
YC90S-2	1.1	1.5	220	7.2	2880	73.2	0.95	2.8	6	1.8
YC90L-2	1.5	2	220	8.9	2900	79.32	0.97	2.8	7	1.8
YC100L-2	2.2	3	220	13.2	2900	78.8	0.96	3	6.5	1.8
YC80A-4	0.25	1/3	220	3.4	1450	56	0.6	2.8	6	1.8
YC80B-4	0.37	1/2	220	4.5	1450	60	0.62	2.8	6	1.8
YC80C-4	0.55	3/4	220	6	1450	64	0.65	2.8	6	1.8
YC90S-4	0.75	1	220	5.5	1450	73.3	0.93	2.8	6.5	1.8
YC90L-4	1.1	1.5	220	7.8	1450	71	0.9	2.5	6	1.8
YC100L-4	1.5	2	220	9.3	1450	72	0.92	2.8	7	1.8
YC112M-4	2.2	3	220	13.5	1450	72	0.95	2.4	6.5	1.8
YC132SA-4	3	4	220	25.2	1450	74	0.73	2.4	6.5	1.8
YC132SB-4	4	5	220	30	1450	75	0.74	2.4	6.5	1.8

110V、110V/220V、60Hz etc. Models are available on request.

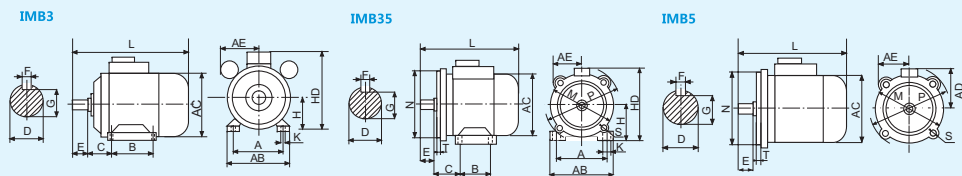


YL Series Single-Phase Dual-Capacitor Asynchronous Motors WITH CAST IRON HOUSING

YL Series Single phase dual-capacitor asynchronous motor is designed and manufactured according to national standard, newly developed by our company with low noise, compact dimension, light weight, easy maintenance, etc. These motors are widely used on air compressors, pumps, fans, refrigeration, medical instruments, small-size machines, etc. especially for occasion where only single-phase power supply is available.

OPERATING CONDITIONS

- Ambient temperature: $-15^{\circ}\text{C} \leq \theta \leq 40^{\circ}\text{C}$
- Above sea level: not exceed 1000m
- Rated voltage: $\pm 5\%$
- Protection class: Ip44
- Insulation class: Class B / Class F
- Cooling method: IC0141
- Duty: continuous(S)



YL SERIES MOTOR OVERALL & INSTALLATION DIMENSIONS

Frame size	Mounting Dimensions(mm)																Overall Dimensions (mm)										
	IMB14. IMB34								IMB5. IMB35																		
	A	B	C	D	E	F	G	H	K	M	N	P	R	S	T	M	N	P	R	S	T	AB	AC	AD	AE	HD	L
YL71	112	90	45	14	30	5	11	71	7	85	70	105	0	M6	2.5	-	-	-	-	-	-	145	145	140	105	180	255
YL80	125	100	50	19	40	6	15.5	80	10	100	80	120	0	M6	2.5	-	-	-	-	-	-	160	165	150	120	200	295
YL90S	140	100	56	24	50	8	20	90	10	115	95	140	0	M8	3	-	-	-	-	-	-	180	185	160	130	240	370
YL90L	140	125	56	24	50	8	20	90	10	115	95	140	0	M8	3	-	-	-	-	-	-	180	185	160	130	240	400
YL100L	160	140	63	28	60	8	24	100	12	-	-	-	-	-	215	180	250	0	15	4	205	220	180	130	260	430	
YL112M	190	140	70	28	60	8	24	112	12	-	-	-	-	-	215	180	250	0	15	4	245	250	190	140	300	455	
YL132S	216	140	89	38	80	10	33	132	12	-	-	-	-	-	215	180	300	0	15	4	280	290	210	155	350	525	

TECHNICAL DATA AT 50 HZ

Model	Power		Voltage (V)	Current (A)	Speed (r.p.m)	Eff (%)	Power factor	Starting Torque Rated torque	Starting Current rated current	Max torque Rated torque
	KW	HP								
YL711-2	0.37	1/2	220	2.73	2880	67	0.92	1.8	16	1.8
YL712-2	0.55	3/4	220	3.88	2880	70	0.92	1.8	21	1.8
YL801-2	0.75	1	220	5.15	2800	72	0.92	1.8	29	1.8
YL802-2	1.1	1.5	220	7.02	2800	75	0.95	1.8	40	1.8
YL90S-2	1.5	2	220	9.44	2820	76	0.95	1.7	55	1.8
YL90L-2	2.2	3	220	13.7	2820	77	0.95	1.7	80	1.8
YL7114	0.25	1/3	220	1.99	1400	62	0.92	1.8	12	1.8
YL7124	0.37	1/2	220	2.81	1400	65	0.92	1.8	16	1.8
YL801-4	0.55	3/4	220	4	1400	68	0.92	1.8	21	1.8
YL802-4	0.75	1	220	5.22	1400	71	0.92	1.8	29	1.8
YL90S-4	1.1	1.5	220	7.21	1420	73	0.95	1.7	40	1.8
YL90L-4	1.5	2	220	9.57	1420	75	0.95	1.7	55	1.8
YL100L1-4	2.2	3	220	13.9	1420	76	0.95	1.7	80	1.8
YL100L2-4	3	4	220	18.6	1420	77	0.95	1.7	110	1.8
YL112M-4	2.2	3	220	13.9	1440	76	0.95	1.7	80	1.8
YL112M1-4	3	4	220	18.6	1440	77	0.95	1.7	110	1.8
YL112M2-4	4	5.5	220	23	1440	78	0.95	1.7	138	1.8
YL132SA-4	3	4	220	18.6	1440	77	0.95	1.7	110	1.8
YL132SB-4	4	5.5	220	23	1440	78	0.95	1.7	138	1.8

110V, 110V/220V, 60Hz etc. Models are available on request



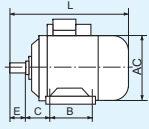
YCL Series Single-Phase Dual-Capacitor Asynchronous Motors WITH CAST IRON HOUSING

YCL Series Heavy-duty capacitor start and run, single phase induction motor is suitable for driving small-size turning machine, especially for household and workshop where only need single-phase power supply. This series motor is designed with advanced technique and made of fine materials. It also has many good characteristics such as lower noise, lower temperature rising and starting current, higher starting torque, reliable operation, easy maintenance and pretty appearance, all meeting the relative rules of IEC standard. YCL series motor is similar to YC series in appearance. Compared with the same output YC series motors, YCL series temperature rising reduces by 8.74k on average, efficiency improves by 4.21 percent, power factor rises by 0.16.

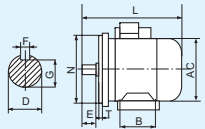
OPERATING CONDITIONS

- **Ambient temperature:** $-15^{\circ}\text{C} \leq \theta \leq 40^{\circ}\text{C}$
- **Above sea level:** not exceed 1000m
- **Rated voltage:** $\pm 5\%$
- **Protection class:** IP44
- **Insulation class:** Class B / Class F
- **Cooling method:** ICO141
- **Duty:** continuous(S)

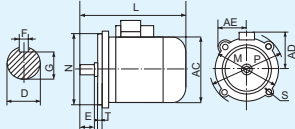
IMB3



IMB14



IMB5



YCL SERIES MOTOR OVERALL & INSTALLATION DIMENSIONS

Frame size	Mounting Dimensions(mm)													Overall Dimensions (mm)							
	A	B	C	D	E	F	G	H	K	M	N	P	R	S	T	AB	AC	AD	AE	HD	L
YCL90S	140	100	56	24	50	8	20	90	10	165	130	200	0	12	3.5	180	185	140	120	240	355
YCL90L	140	125	56	24	50	8	20	90	10	165	130	200	0	12	3.5	180	185	140	120	240	385
YCL100L	160	140	63	28	60	8	24	100	12	215	180	250	0	15	4	205	220	145	130	260	415
YCL112M	190	140	70	28	60	8	24	112	12	215	180	250	0	15	4	245	250	160	140	300	440
YCL132S	216	140	89	38	80	10	33	132	12	265	230	300	0	15	4	280	262	210	150	350	470

TECHNICAL DATA AT 50 HZ

Model	Power		Voltage (V)	Current (A)	Speed (r.p.m)	Eff (%)	Power factor	Starting Torque Rated torque	Starting Current rated current	Max torque Rated torque
	KW	HP								
YCL90S-2	1.1	1.5	220	7.2	2880	73.2	0.95	2.8	6	1.8
YCL90L-2	1.5	2	220	8.9	2900	79.32	0.97	2.8	7	1.8
YCL100L-2	2.2	3	220	13.2	2900	78.8	0.96	3	6.5	1.8
YCL90S-4	0.75	1	220	5.5	1450	73.3	0.93	2.8	6.5	1.8
YCL90L-4	1.1	1.5	220	7.8	1450	71	0.92	2.5	6	1.8
YCL100L-4	1.5	2	220	9.3	1450	79.4	0.92	2.8	7	1.8
YCL112M-4	2.2	3	220	13.6	1450	81.6	0.9	2.3	6.5	1.8
YCL132S1-4	3	4	220	18.2	1450	83.2	0.9	2.3	6.5	1.8
YCL132S2-4	4	5.5	220	22	1450	84.9	0.9	2.3	6.5	1.8
YCL132M1-4	5.5	7.5	220	32.5	1460	85	0.9	2.2	6.5	1.8
YCL132M2-4	7.5	10	220	40	1460	85.5	0.9	2.2	6.5	1.8

110V, 110V/220V, 60Hz etc. Models are available on request.

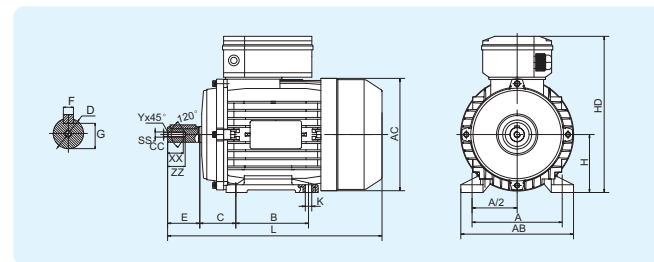


AC Series Air Compressor Motors WITH ALUMINIUM HOUSING

AC Series Air Compressor Motors similar to MY Series Aluminium housing single-phase capacitor-running motors, with latest design in entirety, are made of quality materials and meet the relative rules of IEC standard. AC motors have good performance, safe and reliable operation, nice appearance, and can be maintained very conveniently, while with low noise, little vibration, light weight and simple construction. This series motors can be used on household appliance, specially using for Air compressor.

OPERATING CONDITIONS

- **Ambient temperature:** $-15^{\circ}\text{C} \leq \theta \leq 40^{\circ}\text{C}$
- **Above sea level:** not exceed 1000m
- **Rated voltage:** $\pm 5\%$
- **Protection Class:** IP44/IP54/IP55
- **Insulation Class:** Class B / Class F
- **Cooling method:** ICO141
- **Duty:** continuous(S)



AC SERIES MOTOR OVERALL & INSTALLATION DIMENSIONS

Frame Size	Installation Size										Overall Dimension			
	IMB3										AB	AC	HD	L
	A	B	C	D	E	F	G	H	K					
AC801-2	125	100	50	19	40	6	15.5	80	10X13	154	φ154	228	285	
AC802-2	125	100	50	19	40	6	15.5	80	10X13	154	φ154	228	285	
AC803-2	125	100	50	19	40	6	15.5	80	10X13	154	φ154	228	285	
AC801-4	125	100	50	19	40	6	15.5	80	10X13	154	φ154	228	285	
AC802-4	125	100	50	19	40	6	15.5	80	10X13	154	φ154	228	285	

TECHNICAL DATA AT 50Hz

TYPE	Output		Voltage (v)	Current (A)	Speed (r/min)	Eff (%)	Power Factor	Tstart/Tn	Tmax/Tn	Starting current (A)	Run Capacitor (uf/v)
	KW	HP									
AC801-2	0.75	1	220	4.7	2752	72	0.92	0.33	1.7	20	30uf/400v
AC802-2	1.1	1.5	220	6.7	2800	75	0.95	0.33	1.7	30	35uf/450v
AC803-2	1.5	2	220	9.4	2800	76	0.95	0.3	1.7	45	50uf/450v
AC801-4	0.55	0.75	220	4.25	1400	64	0.92	0.35	1.7	15	16uf/400v
AC802-4	0.75	1	220	4.5	1400	68	0.92	0.33	1.7	20	30uf/400v

110V, 110V/220V, 60Hz etc. Models are available on request.



CY Air-Blower

Model	Wind Wheel Diameter (mm)	Air Quantity (m ³ /h)	Air Pressure (pa)	Power (kw)	Speed (r/min)	Voltage (V)	Rate Current (A)	Work Current (A)	Air Inlet Diameter (mm)	Air Outlet Diameter (mm)
CY-130	130	548	549	0.18	2800	380	0.53	0.4	∅ 103	70x86
CY-135	130	560	529	0.18	2800	380	0.53	0.4	∅ 114	91x69
CY-170	170	662x2	663	0.55	2825	380	0.8	0.8	∅ 173	70x86

OMK-A05 CARVE MOTOR



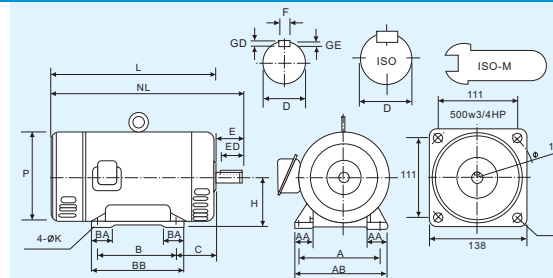
- The Tip of Diameter: Φ4mm / Φ6mm
- Rated Voltage: 110V/220V
- Rated Frequency: 50/60Hz
- Rated Input Power: 180W
- No load speed: 500/1800 r/min

Regulator



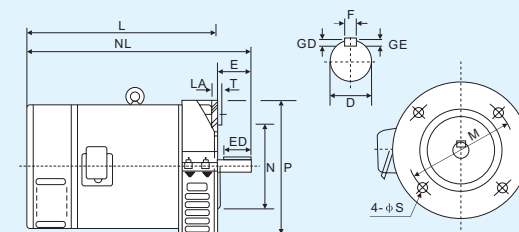
	House Power		1/4HP(200W)		3/4HP(500W)	
	110DC	220DC	110DC	220DC	110DC	220DC
Armature Voltage	110DC	220DC	110DC	220DC	110DC	220DC
Torque	10Kg-cm	10Kg-cm	30Kg-cm	30Kg-cm	30Kg-cm	30Kg-cm
Over-Load Current	2A	1A	7A	7A	3.5A	3.5A
Speed	1800/min	1800/min	1800/min	1800/min	1800/min	1800/min
Insulation Class	B	B	B	B	B	B

Horizontal D.C Motor



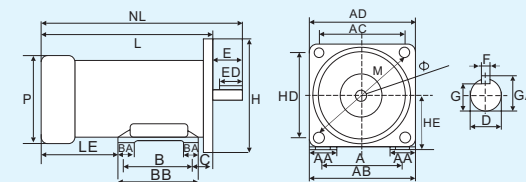
Output	Speed	Frame	Overall Dimensions (mm)													Shaft Dimensions (mm)							
			A	AA	AB	B	BA	BB	C	H	K	L	NL	NS	E	ED	D	GD	GE	F	HD	P	
1/4	0.2	1750	ZD97B-0.25	132	42	174	98	34	132	46	97	10	206	242		36	28	14	5	3	5	162	
1/2	0.37	1750	ZD97B-05	132	42	174	98	34	132	60	97	10	271	305	M8	34	27	14	5	3	5	165	
1	0.75	1750	ZD125B-1	132	42	174	98	34	132	85	97	10	310	354	M8	44.5	37.5	19	6	3.5	6	165	
2	1.5	1750	ZD125B-2	176	39	214	160	34	189	85	125	12	335	388	M10	53	46	24	7	4	8	440	
3	2.2	1750	ZD125B-3	176	39	214	160	34	189	85	125	12	368	434	M10	60	51	28	7	4	8	440	
5	3.7	1750	ZD125B-5	176	39	214	160	34	189	85	125	12	444	506	M10	62.5	51	28	7	4	8	440	

Vertical D.C Motor



Output	Speed	Frame	Overall Dimensions (mm)										Shaft Dimensions (mm)								
			M	N	P	T	LA	L	NL	NS	S	E	ED	D	GD	GE	F	HD			
1/4	0.2	1750		130	110	165	3.5	11.5	213					11	29.5	23.5	14				
1/2	0.37	1750	90L-5	130	110	165	3.5	11.5	274	249	M8	11	30	25	14	5	3	5			
1	0.75	1750	90B-5	165	130	190	3.5	11.5	214	355	M10	13	41.5	36	19	6	3.5	6			
2	1.5	1750	125L-5A	165	130	218	3.5	15	340	393	M10	13	52.5	45	24	7	4	8	8	425	
3	2.2	1750	125B-5B	214	180	250	4	15	370	434	M12	15	63.5	50	28	7	4	8	8	425	

Permanent-Magnet D.C Motor



Output	Speed	AC	AD	Overall Dimensions (mm)						Shaft Dimensions (mm)							
				L	NL	H	HE	M	E	ED	D	G	GA	F	P		
60W	1800	75		143.5	164.5	91	45	105.5	21	21.5	10	7.4	11.5	4	80		
100W	1800	75	91	173.5	202.5	91	45	105.5	29	30	12	9.2	13	4	80		
375W	1800	110	138	241	264	139	86	155	53	45	16	13	18	5	130		
500W	1800	110	135	269	323	139	88	155	53	45	16	13	18	5	130		
750W	1800	110	138	316	359.5	139	88	155	43.5	35	19	15.5	21.5	6	130		

Vacuum Diaphragm Series D.C Pump

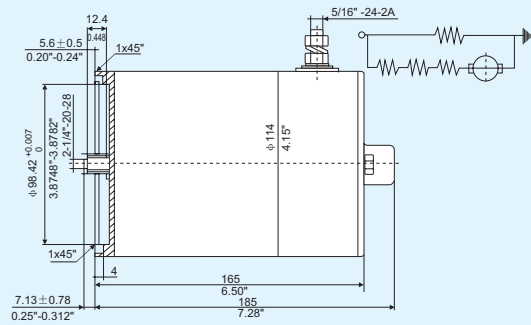


Model	Volts	AMPS	Flow	Pressure Switch	Pipe Size	Package Dimensions(mm)			Weight Kg
		A	L/min	MAX.psi(bar)	Inch	Length	Width	Height	
FL-30	12V	2.2	10	17(1.2)	1/2"	355	130	110	1.9
FL-35	12V	7.0	12.5	35(2.4)	1/2"	355	130	110	1.95
FL-40	12V	9.0	17	40(2.7)	1/2"	355	130	110	2.55
DP-60	12V	6.0	5.4	80(5.5)	3/4"	260	120	100	2.55
DP-120	12V	6.0	5.4	120(8.2)	3/4"	260	120	100	2.55
DP-160	12V	7.0	5.4	160(11)	3/4"	260	120	100	2.55
SW-35	12V	2	3.8	35(2.4)	3/8"	190	105	65	2.55
SW-40	12V	1.6	2.6	40(2.7)	3/8"	190	105	65	0.6
SW-55	12V	1.5	2	55(3.8)	3/8"	190	105	65	0.6
SW-80	12V	2.5	3.8	80(5.5)	3/8"	190	105	65	0.6

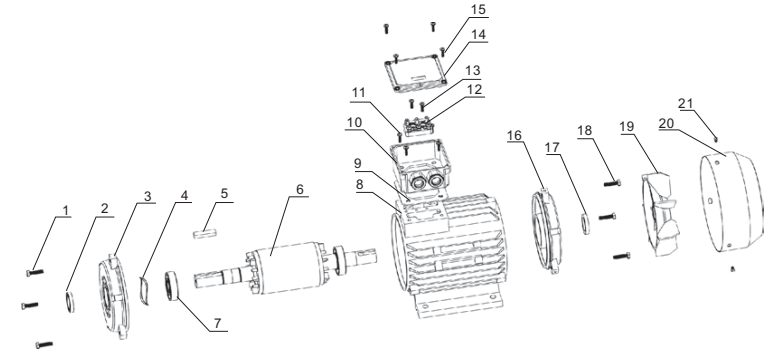
DC 24V, AC115V, 220V are available on request.

12V Heavy-Duty D.C Motor

- Voltage : 12V
- Moment : 6N.m
- Speed : ≥2200rpm
- Current : ≤210A
- Power : 1.5kw

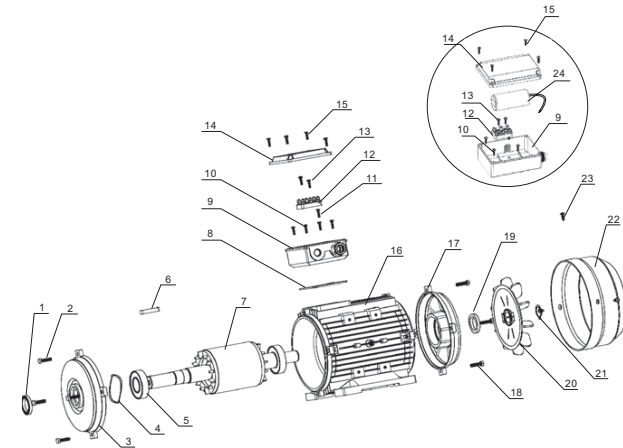


Y2 Series Three-Phase TEFC Cast-Iron Induction Motors



Number	DESCRIPTION	Number	DESCRIPTION	Number	DESCRIPTION
1	Motor Cover-Motor Case Screw	8	Motor Case With Winding	15	Screws For Terminal Cover Fixing
2	Oil-seal	9	Terminal seal IP55	16	Motor Back Cover
3	Motor Cover	10	Terminal box	17	Oil-seal
4	Adjusting Ring	11	Screws For Terminal Box Fixing	18	Motor Cover-Motor Case Screw
5	Key	12	Terminal Board	19	Fan
6	Shaft And Rotor	13	Screws For Terminal Board Fixing	20	Fan Cover
7	Ball Bearing	14	Terminal Cover	21	Screws For Fan Cover Fixing

MS/MY Series TEFC Aluminium Induction Motors



Number	DESCRIPTION	Number	DESCRIPTION	Number	DESCRIPTION
1	Oil-seal	9	Terminal box	17	Motor Back Cover
2	Motor Cover-Motor Case Screw	10	Screws For Terminal Box Fixing	18	Motor Cover-Motor Case Screw
3	Motor Cover	11	Screw For Ground	19	Oil-seal
4	Adjusting Ring	12	Terminal Board	20	Fan
5	Ball Bearing	13	Screws For Terminal Board Fixing	21	Circlip
6	Key	14	Terminal Cover	22	Fan Cover
7	Shaft And Rotor	15	Screws For Terminal Cover Fixing	23	Screws For Fan Cover Fixing
8	Terminal seal Ip55	16	Motor Case With Winding	24	Capacitor

WATER PUMP



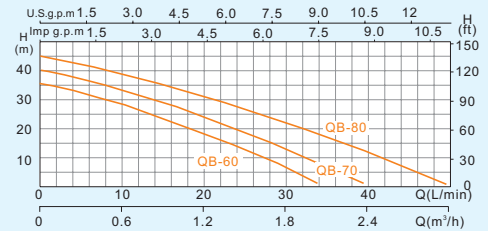
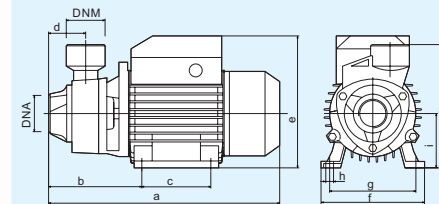
QB Series Peripheral Water Pump

QB Series peripheral water pumps are high efficient household electric pumps with the miniature heavy-duty electric motor and the peripheral pump couple directly. They have the advantages of simple construction, small measurement, light weight, higher head, easy operation and maintenance. They do well in carrying clean water or the liquid whose physical and chemical nature similar to clean water, not exceeding 40°C. They are ideal for household well water pumping, water injection supplying, car washing, and garden watering etc.

STRUCTURAL CHARACTERISTICS

- **Pump body:** Cast Iron/Brass
- **Motor Housing:** Aluminium
- **Coil wire:** Copper
- **Impeller:** Brass
- **Bearing:** C&U/NSK/SKF
- **Insulation class:** B / F
- **Protection class:** IP44 / IP54
- **Mechanical seal:** Carbon-ceramic/Stainless steel
- **Shaft:** 45# Steel / Stainless steel 420

Single phase motor with Thermal protector



TECHNICAL DATA AT 50Hz

Model	Power		Max. Flow (L/min)	Max. Head (m)	Max. Suck (m)	Speed (r/min)	Pipe Size (Inch)	PACKAGE DIMENSIONS & G.W.				
	KW	HP						A	B	H	kg	Qty/20F
QB-60	0.37	1/2	35	35	9	2850	1" x 1"	285	150	185	5.3	3400
QB-70	0.55	3/4	40	40			1" x 1"	335	180	200	9.5	2000
QB-80	0.75	1	50	45			1.5" x 1.5"	335	180	200	10.0	1820

110V, 110V/220V 60Hz etc. models are available on request.

OVERALL & INSTALLATION DIMENSIONS

Model	DIMENSIONS (mm)													
	DNA		DNM		a	b	c	d	e	f	g	h	i	j
	Inch	mm	Inch	mm										
QB-60	1"	25	1"	25	265	110	80	45	151	118	100	10	63	138
QB-70	1"	25	1"	25	305	122	90	50	181	136	112	10	71	150
QB-80	1.5"	40	1.5"	40	305	122	90	50	181	136	112	10	71	150

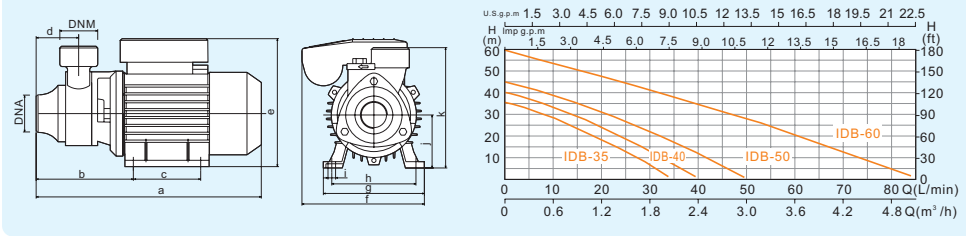


IDB Series Peripheral Water Pump

IDB Series peripheral water pumps are high efficient household electric pumps with the miniature heavy-duty electric motor and the peripheral pump couple directly. They have the advantages of simple construction, small measurement, light weight, higher head, easy operation and maintenance. They do well in carrying clean water or the liquid whose physical and chemical nature similar to clean water, not exceeding 40°C. They are ideal for household well water pumping, water injection supplying, car washing, and garden watering etc.

STRUCTURAL CHARACTERISTICS

- **Pump body:** Cast Iron/Brass
 - **Motor Housing:** Aluminium
 - **Coil wire:** Copper
 - **Impeller:** Brass
 - **Bearing:** C&U/NSK/SKF
 - **Insulation class:** B / F
 - **Protection class:** IP44 / IP54
 - **Mechanical seal:** Carbon-ceramic/Stainless steel
 - **Shaft:** 45# Steel / Stainless steel 420
- Single phase motor with Thermal protector



TECHNICAL DATA AT 50Hz

Model	Power		Max. Flow (L/min)	Max. Head (m)	Max. Such (m)	Speed (r/min)	Pipe Size (Inch)	PACKAGE DIMENSIONS & G. W.				
	KW	HP						A	B	H	kg	Qty/20F
IDB-35	0.37	1/2	35	35	9	2850	1" x 1"	285	150	185	5.4	3400
IDB-40	0.55	3/4	40	40			1" x 1"	335	180	200	9.6	2000
IDB-50	0.75	1	50	45			1.5" x 1.5"	335	180	200	10.2	1820
IDB-60	1.1	1.5	85	60			1.5" x 1.5"	425	200	225	22.0	1000

110V, 110V/220V 60Hz etc. models are available on request.

OVERALL & INSTALLATION DIMENSIONS

Model	DIMENSIONS (mm)														
	DNA		DNM		a	b	c	d	e	f	g	h	i	j	k
	Inch	mm	Inch	mm											
IDB-35	1"	25	1"	25	262	115	80	50	155	142	118	100	10	63	143
IDB-40	1"	25	1"	25	305	120	90	55	176	155	136	112	10	71	152
IDB-50	1.5"	40	1.5"	40	305	120	90	55	176	155	136	112	10	71	152
IDB-60	1.5"	40	1.5"	40	380	138	100	68	182	180	162	130	10	80	156

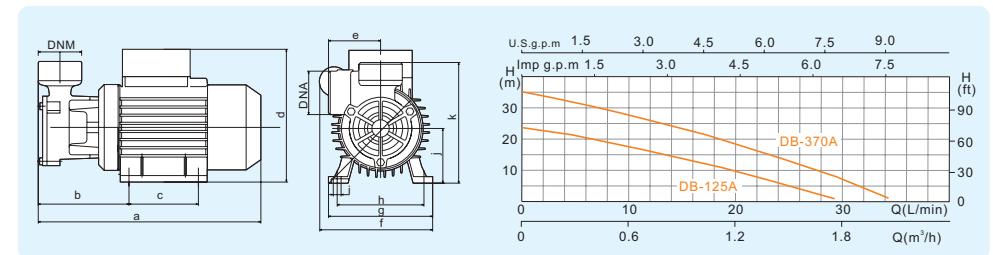


DB Series Peripheral Water Pump

DB Series peripheral water pumps are high efficient household electric pumps with the miniature heavy-duty electric motor and the peripheral pump couple directly. They have the advantages of simple construction, small measurement, light weight, higher head, easy operation and maintenance. They do well in carrying clean water or the liquid whose physical and chemical nature similar to clean water, not exceeding 40°C. They are ideal for household well water pumping, water injection supplying, car washing, and garden watering etc.

STRUCTURAL CHARACTERISTICS

- **Pump body:** Cast Iron/Brass
 - **Motor Housing:** Aluminium
 - **Coil wire:** Copper
 - **Impeller:** Brass
 - **Bearing:** C&U/NSK/SKF
 - **Insulation class:** B / F
 - **Protection class:** IP44 / IP54
 - **Mechanical seal:** Carbon-ceramic/Stainless steel
 - **Shaft:** 45# Steel / Stainless steel 420
- Single phase motor with Thermal protector



TECHNICAL DATA AT 50Hz

Model	Power		Max. Flow (L/min)	Max. Head (m)	Max. Such (m)	Speed (r/min)	Pipe Size (Inch)	PACKAGE DIMENSIONS & G. W.				
	KW	HP						A	B	H	kg	Qty/20F
DB-125A	0.125	1/6	30	24	9	2850	1" x 1"	280	165	180	4.8	3300
DB-370A	0.37	1/2	35	35			1" x 1"	280	165	180	5.2	3300

110V, 110V/220V 60Hz etc. Models are available on request.

OVERALL & INSTALLATION DIMENSIONS

Model	DIMENSIONS (mm)														
	DNA		DNM		a	b	c	d	e	f	g	h	i	j	k
	Inch	mm	Inch	mm											
DB-125A	1"	25	1"	25	256	101	80	154	60	147	118	110	10	63	143
DB-370A	1"	25	1"	25	256	101	80	154	60	147	118	110	10	63	143

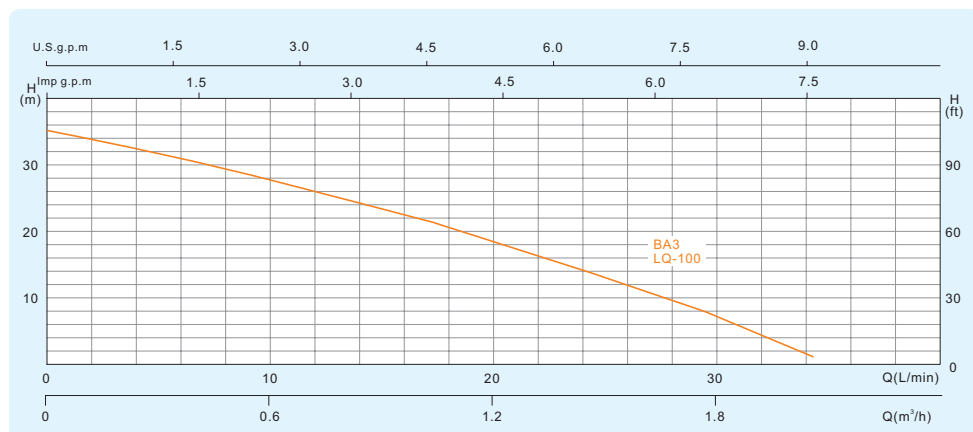


LQ/BA3 Series Peripheral Water Pump

LQ/BA3 Series peripheral water pumps are high efficient household electric pumps with the miniature heavy-duty electric motor and the peripheral pump couple directly. They have the advantages of simple construction, small measurement, light weight, higher head, easy operation and maintenance. They do well in carrying clean water or the liquid whose physical and chemical nature similar to clean water, not exceeding 40°C. They are ideal for household well water pumping, water injection supplying, car washing, and garden watering etc.

STRUCTURAL CHARACTERISTICS

- **Pump body:** Cast Iron/Brass
 - **Motor Housing:** Aluminium
 - **Coil wire:** Copper
 - **Impeller:** Brass
 - **Bearing:** C&U/NSK/SKF
 - **Insulation class:** B / F
 - **Protection class:** IP44 / IP54
 - **Mechanical seal:** Carbon-ceramic/Stainless steel
 - **Shaft:** 45# Steel / Stainless steel 420
- Single phase motor with Thermal protector



TECHNICAL DATA AT 50Hz

Model	Power		Max. Flow (L/min)	Max. Head (m)	Max. Such (m)	Speed (r/min)	Pipe Size (Inch)	PACKAGE DIMENSIONS & G. W.				
	KW	HP						A	B	H	kg	Qty/20F
BA3	0.37	1/2	35	35	9	2850	1" x 1"	235	150	185	5	3400
LQ-100	0.37	1/2	35	35			1" x 1"	280	165	180	5.4	3400

110V, 110V/220V 60Hz etc. Models are available on request.

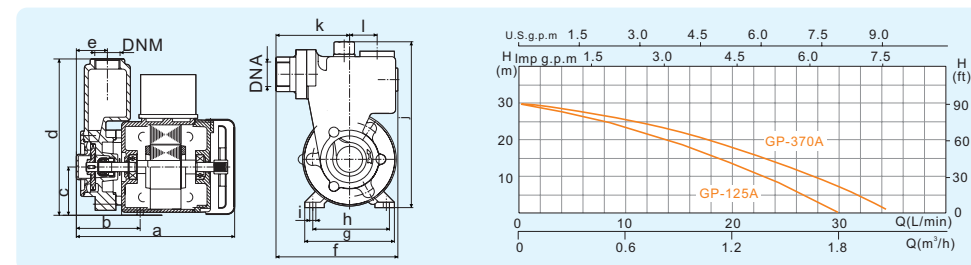


GP Series Self-Priming Pump

GP Series of pumps are constituted with clean water pump, non-return valve and air-water separation room, which located on the upside of the pump body. During operating, it is no need to use foot valve, the only thing that you should do is just leave some water in the pump body. After a few minutes' running, the water will be sucked out relying on the pump body itself. They are particularly suitable for domestic applications such as supplying water from well, pool etc. It is also suitable for water pressure boosting, gardening and automatic water supplying if combined with other appliances.

STRUCTURAL CHARACTERISTICS

- **Pump body:** Cast Iron / Cast Iron with brass insert
 - **Motor body:** Cast Iron / Aluminium
 - **Coil wire:** Copper
 - **Impeller:** Brass
 - **Bearing:** C&U/NSK/SKF
 - **Insulation class:** B / F
 - **Protection class:** IP44 / IP54
 - **Mechanical seal:** Carbon-ceramic / Stainless steel
 - **Shaft:** 45# Steel / Stainless steel 420
- Single phase motor with Thermal protector



TECHNICAL DATA AT 50Hz

Model	Power		Max. Flow (L/min)	Max. Head (m)	Max. Such (m)	Speed (r/min)	Pipe Size (Inch)	PACKAGE DIMENSIONS & G. W.				
	KW	HP						A	B	H	kg	Qty/20F
GP-125A	0.125	1/6	30	30	9	2850	1" x 1"	260	200	240	6.8	2500
GP-370A	0.37	1/2	35	35			1" x 1"	260	200	240	7	2500

110V, 60Hz etc. Models are available on request.

OVERALL & INSTALLATION DIMENSIONS

Model	DIMENSIONS (mm)															
	DNA		DNM		a	b	c	d	e	f	g	h	i	j	k	l
	Inch	mm	Inch	mm												
GP-125A	1"	25	1"	25	198	84	71	202	40	151	121	105	6	220	83	40
GP-370A	1"	25	1"	25	198	84	71	202	40	151	121	105	6	220	83	40



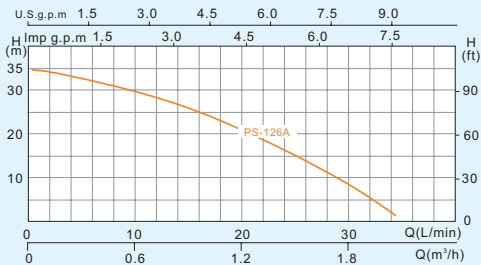
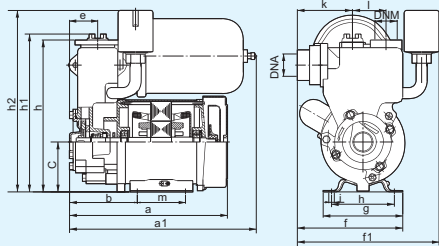
PS Series Self-Priming Pump

PS Series of pumps is constituted with clean water pump, non-return valve and air-water separation room, which located on the upside of the pump body. During operating, it is no need to use foot valve, the only thing that you should do is just leave some water in the pump body. After a few minutes' running, the water will be sucked out relying on the pump body itself. They are particularly suitable for domestic applications such as supplying water from well, pool etc. It is also suitable for water pressure boosting, gardening and automatic water supplying if combined with other appliances.

STRUCTURAL CHARACTERISTICS

- **Pump body:** Cast Iron / Cast Iron with brass insert
- **Motor body:** Steel-Plate
- **Coil wire:** Copper
- **Impeller:** Brass
- **Bearing:** C&U/NSK/SKF

- **Insulation class:** B / F
- **Protection class:** IP44 / IP54
- **Mechanical seal:** Carbon-ceramic/Stainless steel
- **Shaft:** 45# Steel / Stainless steel 420
- **Single phase motor with Thermal protector**



TECHNICAL DATA AT 50Hz

Model	Power		Max. Flow (L/min)	Max. Head (m)	Max. Such (m)	Speed (r/min)	Pipe Size (Inch)	PACKAGE DIMENSIONS & G.W.				
	KW	HP						A	B	H	kg	Qty/20F
PS-126A	0.37	1/2	35	30	9	2850	1" x 1"	280	170	195	7.5	2400

110V, 110V/220V 60Hz etc. Models are available on request.

OVERALL & INSTALLATION DIMENSIONS

Model	DIMENSIONS (mm)																			
	DNA		DNM		a	a1	b	C	h	h1	h2	e	f	f1	g	h	i	k	l	m
	Inch	mm	Inch	mm																
PS-126A	1"	25	1"	25	226	265	97	71.5	217.5	227	256	40.5	178	200	114	90	φ8	79	48	69



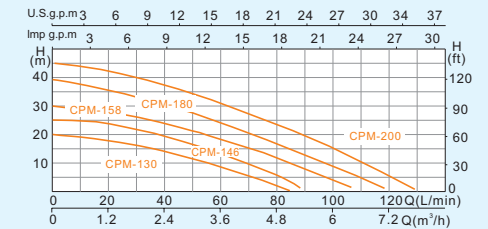
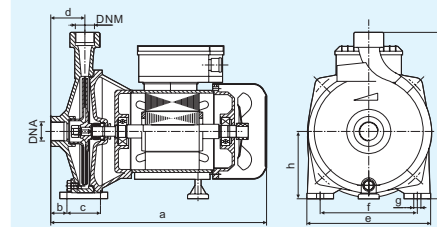
CPM Series Centrifugal Pump

CPM series of centrifugal pumps is directly coupled between mini-type electric machine and single stage pump body. Adopting the reliable and durable mechanical seals, the centrifugal pumps possess large flow quantity, with certain ability of discharging dirty water and impurity. They are single stage centrifugal pumps, and suitable for both domestic and industrial application to convey clean liquid and non-aggressive chemical fluid. They are suitable used on household, hospital, hotel, factory's water supplying, farm irrigation, etc.

STRUCTURAL CHARACTERISTICS

- **Pump body:** Cast Iron
- **Motor Housing:** Aluminium
- **Coil wire:** Copper
- **Impeller:** Brass
- **Bearing:** C&U/NSK/SKF

- **Insulation class:** B / F
- **Protection class:** IP44 / IP54
- **Mechanical seal:** Carbon-ceramic/Stainless steel
- **Shaft:** 45# Steel / Stainless steel 420
- **Single phase motor with Thermal protector**



TECHNICAL DATA AT 50Hz

Model	Power		Max. Flow (L/min)	Max. Head (m)	Max. Such (m)	Speed (r/min)	Pipe Size (Inch)	PACKAGE DIMENSIONS & G.W.				
	KW	HP						A	B	H	kg	Qty/20F
CMP-130	0.37	1/2	85	20	9	2850	1" x 1"	310	170	230	8.9	2170
CMP-146	0.55	3/4	90	25	9	2850	1" x 1"	340	210	260	12.2	1600
CMP-158	0.75	1	110	30	9	2850	1" x 1"	340	210	260	13.8	1430
CMP-180	1.1	1.5	120	40	9	2850	1" x 1"	400	220	280	21	930
CMP-200	1.5	2	130	45	9	2850	1" x 1"	420	220	270	23	870



110V, 110V/220V 60Hz etc. Models are available on request.

OVERALL & INSTALLATION DIMENSIONS

Model	DIMENSIONS (mm)													
	DNA		DNM		a	b	c	d	e	f	g	h	i	l
	Inch	mm	Inch	mm										
CPM-130	1"	25	1"	25	295	--	--	42	170	135	10	82	211	
CPM-146	1"	25	1"	25	305	--	--	44	190	160	10	100	242	
CPM-158	1"	25	1"	25	305	--	--	44	190	160	10	100	242	
CPM-180	1"	25	1"	25	360	--	--	53	207	160	10	112	262	
CPM-200	2"	25	1"	25	388	32	--	60	207	160	10	112	259	



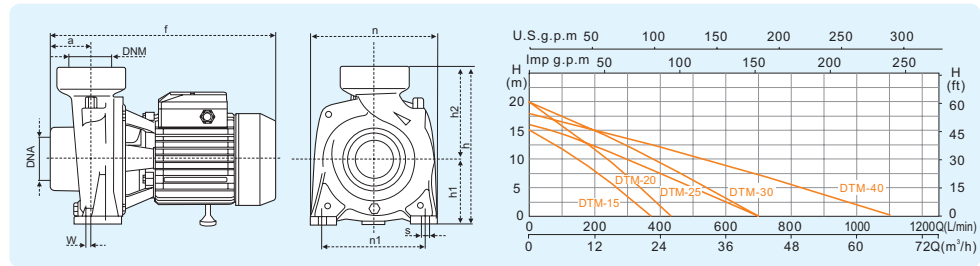
DTM Series Centrifugal Pump

DTM series of centrifugal pumps is directly coupled between mini-type electric machine and single stage pump body. Adopting the reliable and durable mechanical seals, the centrifugal pumps possess large flow quantity, with certain ability of discharging dirty water and impurity. They are single stage centrifugal pumps, and suitable for both domestic and industrial application to convey clean liquid and non-aggressive chemical fluid. They are suitable for household, hospital, hotel, factory's water supplying, farm irrigation, etc.

STRUCTURAL CHARACTERISTICS

- **Pump body:** Cast Iron
- **Motor Housing:** Aluminium
- **Coil wire:** Copper
- **Impeller:** Brass
- **Bearing:** C&U/NSK/SKF

- **Insulation class:** B / F
 - **Protection class:** IP44 / IP54
 - **Mechanical seal:** Carbon-ceramic/Stainless steel
 - **Shaft:** 45# Steel / Stainless steel 420
- Single phase motor with Thermal protector



TECHNICAL DATA AT 50Hz

Model	Power		Max.Flow (L/min)	Max.Head (m)	Max.Such (m)	Speed (r/min)	Pipe Size (Inch)	PACKAGE DIMENSIONS & G.W.					
	KW	HP						A	B	H	kg	Qty/20F	
DTM-15	1.1	1.5	360	15	9	2850	2" x2"	395	225	280	19	1050	
DTM-20	1.5	2	420	20			2" x2"	395	225	280	21	950	
DTM-25	1.85	2.5	700	16			2" x2"	395	225	280	25	800	
DTM-30	2.2	3	700	20			3" x3"	420	250	335	35	570	
DTM-40	2.2	3	1100	18			4" x4"	445	260	330	36	570	

110V, 110V/220V 60Hz etc. Models are available on request.

OVERALL & INSTALLATION DIMENSIONS

Model	DIMENSIONS (mm)												
	DNA		DNM		a	f	h	h1	h2	n	m1	w	s
	Inch	mm	Inch	mm									
DTM-15	2"	50	2"	50	65	363	250	110	140	207	160	8	10
DTM-20	2"	50	2"	50	65	363	250	110	140	207	160	8	10
DTM-25	2"	50	2"	50	65	363	250	110	140	207	160	8	10
DTM-30	3"	75	3"	75	65	385	305	125	180	228	190	8	10
DTM-40	4"	100	4"	100	73	410	300	120	180	240	190	8	10



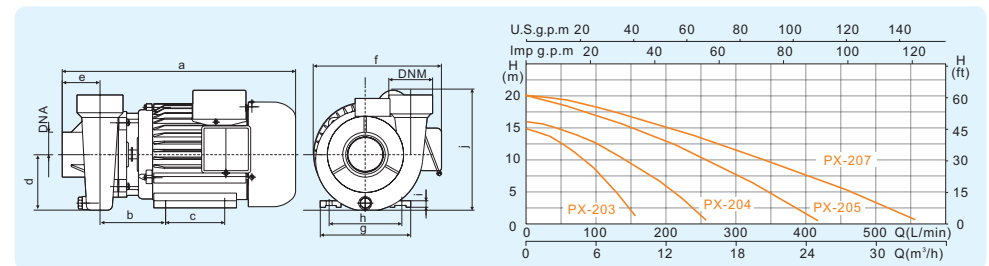
PX Series Centrifugal Pump

PX series of centrifugal pumps is directly coupled between mini-type electric machine and single stage pump body. Adopting the reliable and durable mechanical seals, the centrifugal pumps possess large flow quantity, with certain ability of discharging dirty water and impurity. They are single stage centrifugal pumps, and suitable for both domestic and industrial application to convey clean liquid and non-aggressive chemical fluid. They are suitable used on household, hospital, hotel, factory's water supplying, farm irrigation, etc.

STRUCTURAL CHARACTERISTICS

- **Pump body:** Cast Iron
- **Motor Housing:** Cast Iron
- **Coil wire:** Copper
- **Impeller:** Brass
- **Bearing:** C&U/NSK/SKF

- **Insulation class:** B / F
 - **Protection class:** IP44 / IP54
 - **Mechanical seal:** Carbon-ceramic/Stainless steel
 - **Shaft:** 45# Steel / Stainless steel 420
- Single phase motor with Thermal protector



TECHNICAL DATA AT 50Hz

Model	Power		Max.Flow (L/min)	Max.Head (m)	Max.Such (m)	Speed (r/min)	Pipe Size (Inch)	PACKAGE DIMENSIONS & G.W.					
	KW	HP						A	B	H	Kg	Qty/20F	
PX-203	0.55	1/4	160	15	9	2850	1.5" x1.5"	360	220	230	16.5	1430	
PX-204	0.75	1	260	16			2" x2"	360	220	230	18	1110	
PX-205	1.5	2	420	20			2" x2"	430	280	265	22	910	
PX-207	2.2	3	560	20			3" x3"	520	330	310	33.8	590	

110V, 110V/220V 60Hz etc. Models are available on request.

OVERALL & INSTALLATION DIMENSIONS

Model	DIMENSIONS (mm)													
	DNA		DNM		a	b	c	d	e	f	g	h	i	j
	Inch	mm	Inch	mm										
PX-203	1.5"	40	1.5"	40	330	155	90	80	45	190	138	110	10	199
PX-204	2"	50	2"	50	330	155	90	80	45	190	138	110	10	199
PX-205	2"	50	2"	50	390	182	100	90	67	226	168	140	10	206
PX-207	3"	75	3"	75	405	165	245	122	98	238	185	145	10	280



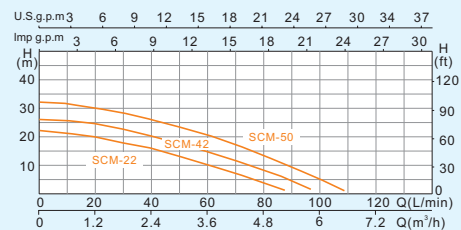
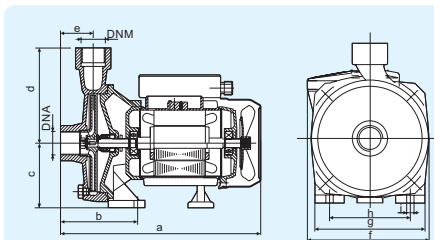
SCM Series Centrifugal Pump

SCM series of centrifugal pumps is directly coupled between mini-type electric machine and single stage pump body. Adopting the reliable and durable mechanical seals, the centrifugal pumps possess large flow quantity, with certain ability of discharging dirty water and impurity. They are single stage centrifugal pumps, and suitable for both domestic and industrial application to convey clean liquid and non-aggressive chemical fluid. They are used for Household, hospital, hotel, factory's water supplying, farm irrigation, etc.

STRUCTURAL CHARACTERISTICS

- **Pump body:** Cast Iron
- **Motor Housing:** Aluminium
- **Coil wire:** Copper
- **Impeller:** Brass
- **Bearing:** C&U/NSK/SKF
- **Insulation class:** B / F
- **Protection class:** IP44 / IP54
- **Mechanical seal:** Carbon-ceramic/Stainless steel
- **Shaft:** 45# Steel / Stainless steel 420

Single phase motor with Thermal protector



TECHNICAL DATA AT 50Hz

Model	Power		Max. Flow (L/min)	Max. Head (m)	Max. Such (m)	Speed (r/min)	Pipe Size (Inch)	PACKAGE DIMENSIONS & G. W.				
	KW	HP						A	B	H	kg	Qty/20F
SCM-22	0.37	1/2	90	22	9	2850	1"x1"	310	170	230	8.9	2170
SCM-42	0.55	3/4	100	26	9	2850	1"x1"	340	210	260	12.2	1600
SCM-50	0.75	1	110	32	9	2850	1"x1"	340	210	260	13.8	1430

110V, 110V/220V 60Hzetc. Models are available on request.

OVERALL & INSTALLATION DIMENSIONS

Model	DIMENSIONS (mm)												
	DNA		DNM		a	b	c	d	e	f	g	h	i
	Inch	mm	Inch	mm									
SCM-22	1"	25	1"	25	275	100	83	114	43	160	150	108	10
SCM-42	1"	25	1"	25	303	108	98	144	45	165	181	140	10
SCM-50	1"	25	1"	25	303	108	98	144	45	185	181	140	10



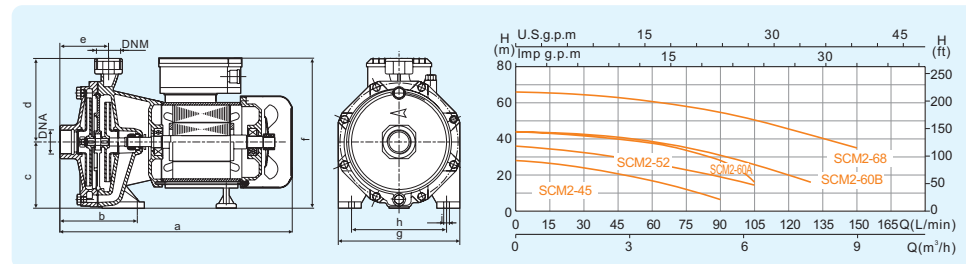
SCM2 Series Dual Stages Centrifugal Pump

SCM2 Series are with two back to back impellers, it is used for high head values but is hard to reach with single impeller centrifugal pump. Suitable for civil and industrial uses to pump clean water and chemically non-aggressive liquid. Particularly be used for increasing the supply pressure. Feeding boilers and loading extremely. These pumps should be installed in a covered area, protected against the weather.

STRUCTURAL CHARACTERISTICS

- **Pump body:** Cast Iron
- **Motor Housing:** Aluminium
- **Coil wire:** Copper
- **Impeller:** Brass
- **Bearing:** C&U/NSK/SKF
- **Insulation class:** B / F
- **Protection class:** IP44 / IP54
- **Mechanical seal:** Carbon-ceramic/Stainless steel
- **Shaft:** 45# Steel / Stainless steel 420

Single phase motor with Thermal protector



TECHNICAL DATA AT 50Hz

Model	Power		Max. Flow (L/min)	Max. Head (m)	Max. Such (m)	Speed (r/min)	Pipe Size (Inch)	PACKAGE DIMENSIONS & G. W.			
	KW	HP						A	B	H	kg
SCM2-45	0.75	1.1	90	35	9	2850	1 " x1 "	210	380	240	18
SCM2-52	1.1	1.5	105	45	9	2850	1.25 " x1 "	420	230	280	23.5
SCM2-60A	1.5	2.0	105	55	9	2850	1.25 " x1 "	420	230	280	25
SCM2-60B	1.5	2.0	130	55	9	2850	1.25 " x1 "	420	230	280	25
SCM2-68	2.2	3.0	150	66	9	2850	1.5 " x1.5 "	480	290	350	31

110V, 110V/220V 60Hzetc. Models are available on request.

OVERALL & INSTALLATION DIMENSIONS

Model	DIMENSIONS (mm)												
	DNA		DNM		A	B	C	D	E	F	G	H	I
	Inch	mm	Inch	mm									
SCM2-45	1.25"	30	1"	25	379	135	110	153	84	263	225	185	11
SCM2-52	1.25"	30	1"	25	400	140	115	148	86	256	210	165	10
SCM2-60A	1.25"	30	1"	25	400	140	115	148	86	256	210	165	10
SCM2-60B	1.5"	40	1.5"	40	400	140	115	148	86	256	210	165	10
SCM2-68	1.5"	40	1.25"	30	450	160	140	175	90	320	240	200	14



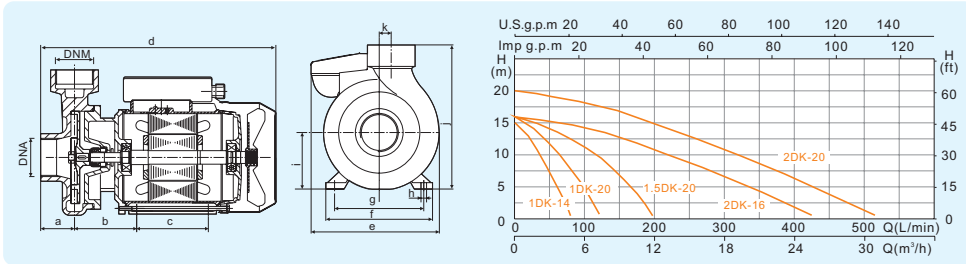
DK Series Centrifugal Pump

DK series of centrifugal pumps is directly coupled between mini-type electric machine and single stage pump body. Adopting the reliable and durable mechanical seals, the centrifugal pumps possess large flow quantity, with certain ability of discharging dirty water and impurity. They are single stage centrifugal pumps, and suitable for both domestic and industrial application to convey clean liquid and non-aggressive chemical fluid. They are used for household, hospital, hotel, factory's water supplying, farm irrigation, etc.

STRUCTURAL CHARACTERISTICS

- **Pump body:** Cast Iron
 - **Coil wire:** Copper
 - **Impeller:** Brass
 - **Bearing:** C&U/NSK/SKF
- Single phase motor with Thermal protector

- **Insulation class:** B / F
- **Protection class:** IP44 / IP54
- **Mechanical seal:** Carbon-ceramic/Stainless steel
- **Shaft:** 45# Steel / Stainless steel 420



TECHNICAL DATA AT 50Hz

Model	Power		Max. Flow (L/min)	Max. Head (m)	Max. Such (m)	Speed (r/min)	Pipe Size (Inch)	PACKAGE DIMENSIONS & G.W.				
	KW	HP						A	B	H	kg	Qty/20Ft
1DK-14	0.37	1/2	80	15	9	2850	1" x1"	280	165	185	7.4	2450
1DK-20	0.55	3/4	120	16			1" x1"	325	180	210	11.2	1900
1.5DK-20	0.75	1	200	16			1.5" x1.5"	325	180	210	13.0	1680
2DK-16	1.1	1.5	430	16			2" x2"	380	235	250	23.0	1000
2DK-20	1.5	2	520	20			2" x2"	380	235	250	26.0	910

110V, 110V/220V 60Hz etc. Models are available on request.

OVERALL & INSTALLATION DIMENSIONS

Model	DIMENSIONS (mm)													
	DNA		DNM		a	b	c	d	e	f	g	h	i	j
	Inch	mm	Inch	mm										
1DK-14	1"	25	1"	25	44	77	80	260	148	118	100	10	63	173
1DK-20	1"	25	1"	25	44	78	90	298	168	136	112	10	71	191
1.5DK-20	1.5"	40	1.5"	40	43	78	90	298	168	136	112	10	71	191
2DK-16	2"	50	2"	50	61	101	92	360	185	162	130	10	90	207
2DK-20	2"	50	2"	50	61	101	92	360	185	162	130	10	90	207



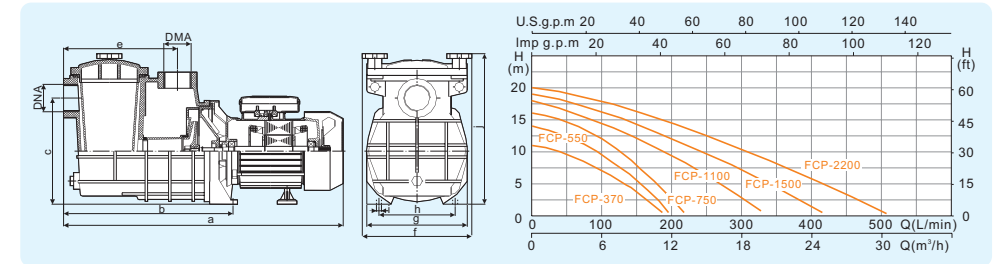
FCP Swimming Pool Pumps

FCP series self-priming pumps are special designed for swimming pool, It has a large strainer basket, double insulated from pool water for extra safety. It can be also used for the circulation system of Sauna or other occasion needed water to be filtered clear.

STRUCTURAL CHARACTERISTICS

- **Pump body:** Reinforce ABS
- **Motor Housing:** Aluminium
- **Pump body cover:** Reinforce ABS
- **Coil wire:** Copper
- **Impeller:** Reinforce PPO
- **Bearing:** C&U/NSK/SKF

- **Insulation class:** B / F
 - **Protection class:** IP44 / IP54
 - **Mechanical seal:** Carbon-ceramic/Stainless steel
 - **Shaft:** 45# Steel / Stainless steel 420
- Single phase motor with Thermal protector



TECHNICAL DATA AT 50Hz

Model	Power		Max. Flow (L/min)	Max. Head (m)	Max. Such (m)	Speed (r/min)	Pipe Size (Inch)	PACKAGE DIMENSIONS & G.W.				
	KW	HP						A	B	H	kg	Qty/20Ft
FCP-370	0.37	1/2	190	11	9	2850	1.5" x1.5"	525	215	285	7.5	1000
FCP-550	0.55	3/4	200	14			1.5" x1.5"	525	215	285	9	1000
FCP-750	0.75	1	220	16			1.5" x1.5"	525	215	285	10.5	1000
FCP-1100	1.1	1.5	330	18			2" x2"	610	225	290	17.5	560
FCP-1500	1.5	2	420	19			2" x2"	610	225	290	19.0	560
FCP-2200	2.2	3	510	20			2" x2"	610	225	290	20.5	518

110V, 110V/220V 60Hz etc. Models are available on request.

OVERALL & INSTALLATION DIMENSIONS

Model	DIMENSIONS (mm)												
	DNA		DNM		a	b	c	d	e	f	g	h	i
	Inch	mm	Inch	mm									
FCP-370	1.5"	40	1.5"	40	500	304	190	--	204	196	180	136.5	9
FCP-550	1.5"	40	1.5"	40	500	304	190	--	204	196	180	136.5	9
FCP-750	1.5"	40	1.5"	40	500	304	190	--	204	196	180	136.5	9
FCP-1100	1.5"	40	1.5"	40	500	304	190	--	204	196	180	136.5	9
FCP-1500	1.5"	40	1.5"	40	500	304	190	--	204	196	180	136.5	9
FCP-2200	2"	50	2"	50	585	320	206	--	224	220	218	153	16

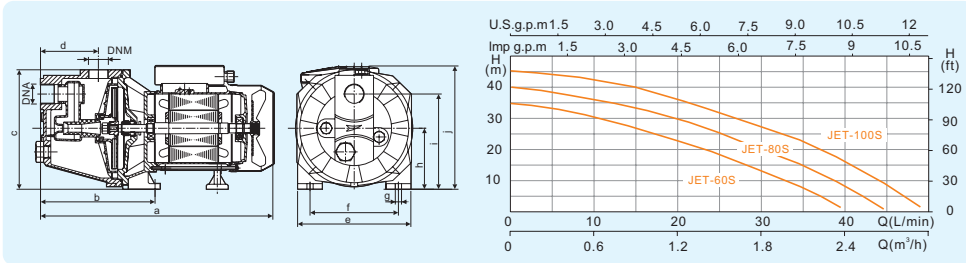


JET-S Series Self-Priming Pump

JET-S Series pump is a jet pump or a full lift self-priming pump which is consisted of centrifugal pump and jet nozzle. These series pumps possess certain flow quantity, higher head. It could lift the water to 9 meters of vacuum height. This series pump is suitable for using on water withdraw of household, water supply of high building, irrigation of garden and farm, etc.

STRUCTURAL CHARACTERISTICS

- **Pump body:** Cast Iron
- **Motor Housing:** Aluminium
- **Coil wire:** Copper
- **Impeller:** Brass / PPO
- **Diffuser:** PPO
- **Bearing:** C&U/NSK/SKF
- **Insulation class:** B / F
- **Protection class:** IP44 / IP54
- **Mechanical seal:** Carbon-ceramic/Stainless steel
- **Shaft:** 45# Steel / Stainless steel 420
Single phase motor with Thermal protector



TECHNICAL DATA AT 50Hz

Model	Power		Max. Flow (L/min)	Max. Head (m)	Max. Such (m)	Speed (r/min)	Pipe Size (Inch)	PACKAGE DIMENSIONS & G. W.				
	KW	HP						A	B	H	kg	Qty/20F
JET-60S	0.37	1/2	40	35	9	2850	1"x1"	420	210	220	13.6	1350
JET-80S	0.55	3/4	45	40			1"x1"	420	210	220	14.6	1280
JET-100S	0.75	1	50	45			1"x1"	420	210	220	15.6	1220

110V, 110V/220V 60Hz etc. Models are available on request.

OVERALL & INSTALLATION DIMENSIONS

Model	DIMENSIONS (mm)													
	DNA		DNM		a	b	c	d	e	f	g	h	i	j
	Inch	mm	Inch	mm										
JET-60S	1"	25	1"	25	378	177	195	91	180	137	10	104	151	200
JET-80S	1"	25	1"	25	378	177	195	91	180	137	10	104	151	200
JET-100S	1"	25	1"	25	378	177	195	91	180	137	10	104	151	200

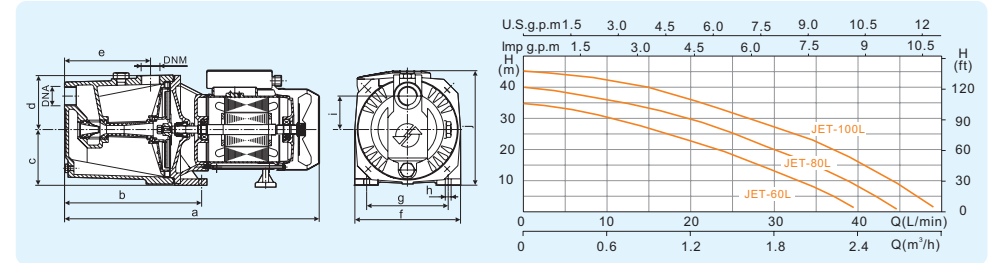


JET-L Series Self-Priming Pump

JET-L Series pump is a jet pump or a full lift self-priming pump which is consisted of centrifugal pump and jet nozzle. These series pumps possess certain flow quantity, higher head. It could lift the water to 9 meters of vacuum height. This series pump is suitable for using on water withdraw of household, water supply of high building, irrigation of garden and farm, etc.

STRUCTURAL CHARACTERISTICS

- **Pump body:** Cast Iron
- **Motor Housing:** Aluminium
- **Coil wire:** Copper
- **Impeller:** Brass / PPO
- **Diffuser:** PPO / Cast Iron
- **Bearing:** C&U/NSK/SKF
- **Insulation class:** B / F
- **Protection class:** IP44 / IP54
- **Mechanical seal:** Carbon-ceramic/Stainless steel
- **Shaft:** 45# Steel / Stainless steel 420
Single phase motor with Thermal protector



TECHNICAL DATA AT 50Hz

Model	Power		Max. Flow (L/min)	Max. Head (m)	Max. Such (m)	Speed (r/min)	Pipe Size (Inch)	PACKAGE DIMENSIONS & G. W.				
	KW	HP						A	B	H	kg	Qty/20F
JET-60L	0.37	1/2	40	35	9	2850	1"x1"	480	210	220	15.2	1260
JET-80L	0.55	3/4	45	40			1"x1"	480	210	220	16.2	1230
JET-100L	0.75	1	50	45			1"x1"	480	210	220	17.2	1200

110V, 110V/220V 60Hz etc. Models are available on request.

OVERALL & INSTALLATION DIMENSIONS

Model	DIMENSIONS (mm)													
	DNA		DNM		a	b	c	d	e	f	g	h	i	j
	Inch	mm	Inch	mm										
JET-60L	1"	25	1"	25	435	238	90	94	150	182	141	9	57	198
JET-80L	1"	25	1"	25	435	238	90	94	150	182	141	9	57	198
JET-100L	1"	25	1"	25	435	238	90	94	150	182	141	9	57	198

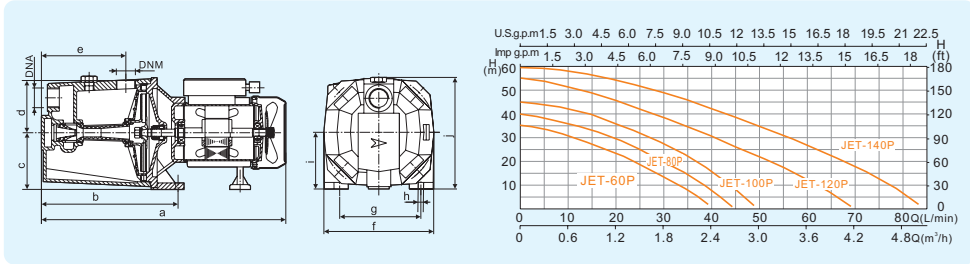


JET-P Series Self-Priming Pump

JET-P Series pump is a jet pump or a full lift self-priming pump which is consisted of centrifugal pump and jet nozzle. These series pumps possess certain flow quantity, higher head. It could lift the water to 9 meters of vacuum height. This series pump is suitable for using on water withdraw of household, water supply of high building, irrigation of garden and farm, etc.

STRUCTURAL CHARACTERISTICS

- **Pump body:** Cast Iron
- **Motor Housing:** Aluminium
- **Coil wire:** Copper
- **Impeller:** Brass
- **Diffuser:** PPO/Cast Iron
- **Bearing:** C&U/NSK/SKF
- **Insulation class:** B / F
- **Protection class:** IP44 / IP54
- **Mechanical seal:** Carbon-ceramic/Stainless steel
- **Shaft:** 45# Steel / Stainless steel 420
Single phase motor with Thermal protector



TECHNICAL DATA AT 50Hz

Model	Power		Max. Flow (L/min)	Max. Head (m)	Max. Such (m)	Speed (r/min)	Pipe Size (Inch)	PACKAGE DIMENSIONS & G. W.				
	KW	HP						A	B	H	kg	Qty/20Ft
JET-60P	0.37	1/2	40	35	9	2850	1"x1"	480	210	220	15.3	1260
JET-80P	0.55	3/4	45	40			1"x1"	480	210	220	16.3	1230
JET-100P	0.75	1	50	45			1"x1"	480	210	220	17.3	1200
JET-120P	1.1	1.5	70	55			1"x1"	580	250	320	38.0	555
JET-140P	1.5	2	85	60	1"x1"	580	250	320	40.0	555		

110V, 110V/220V 60Hz etc. Models are available on request.

OVERALL & INSTALLATION DIMENSIONS

Model	DIMENSIONS (mm)													
	DNA		DNM		a	b	c	d	e	f	g	h	i	j
	Inch	mm	Inch	mm										
JET-60P	1"	25	1"	25	440	235	100	90	140	181	140	10	100	220
JET-80P	1"	25	1"	25	440	235	100	90	140	181	140	10	100	220
JET-100P	1"	25	1"	25	440	235	100	90	140	181	140	10	100	200

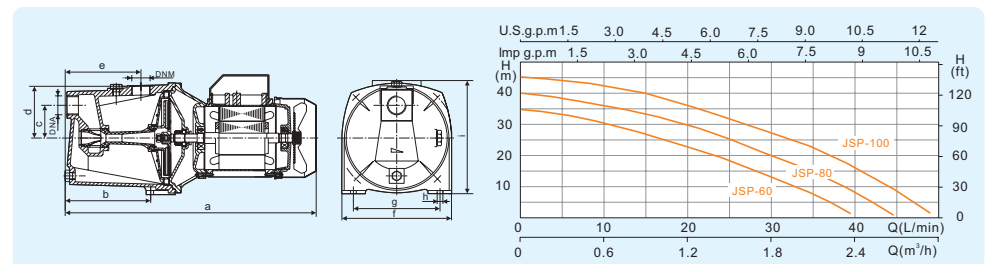


JSP Series Self-Priming Pump

JSP Series pump is a jet pump or a full lift self-priming pump which is consisted of centrifugal pump and jet nozzle. These series pumps possess certain flow quantity, higher head. It could lift the water to 9 meters of vacuum height. This series pump is suitable for using on water withdraw of household, water supply of high building, irrigation of garden and farm, etc.

STRUCTURAL CHARACTERISTICS

- **Pump body:** Cast Iron
- **Motor Housing:** Aluminium
- **Coil wire:** Copper
- **Impeller:** Brass / PPO
- **Diffuser:** PPO / Cast Iron
- **Bearing:** C&U/NSK/SKF
- **Insulation class:** B / F
- **Protection class:** IP44 / IP54
- **Mechanical seal:** Carbon-ceramic/Stainless steel
- **Shaft:** 45# Steel / Stainless steel 420
Single phase motor with Thermal protector



TECHNICAL DATA AT 50Hz

Model	Power		Max. Flow (L/min)	Max. Head (m)	Max. Such (m)	Speed (r/min)	Pipe Size (Inch)	PACKAGE DIMENSIONS & G. W.				
	KW	HP						A	B	H	kg	Qty/20Ft
JSP-60	0.37	1/2	40	35	9	2850	1"x1"	410	18.5	220	12.2	1260
JSP-80	0.55	3/4	45	40			1"x1"	410	18.5	220	12.2	1230
JSP-100	0.75	1	50	45			1"x1"	410	18.5	220	12.2	1200

110V, 110V/220V 60Hz etc. Models are available on request.

OVERALL & INSTALLATION DIMENSIONS

Model	DIMENSIONS (mm)												
	DNA		DNM		a	b	c	d	e	f	g	h	i
	Inch	mm	Inch	mm									
JSP-60	1"	25	1"	25	382	132	45	71	122	157	124	10	176
JSP-80	1"	25	1"	25	382	132	45	71	122	157	124	10	176
JSP-100	1"	25	1"	25	382	132	45	71	122	157	124	10	176



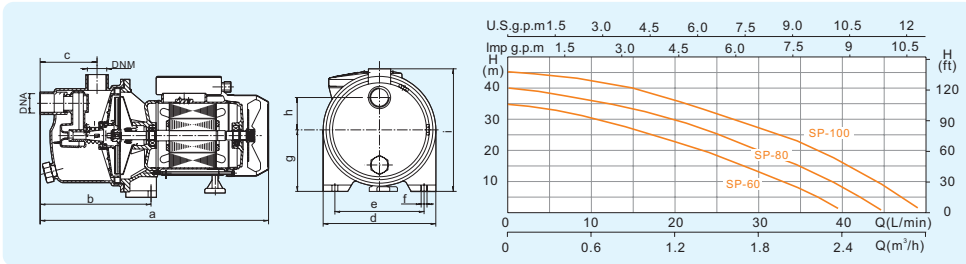
SP Series Self-Priming Pump

SP Series pump with stainless steel pump body is a jet pump with full lift self-priming pump which is consisted of centrifugal pump and jet nozzle. These series pumps possess certain flow quantity, higher head. It could lift the water to 9 meters of vacuum height. This series pump is suitable for using on water withdraw of household, water supply of high building, irrigation of garden and farm, etc.

STRUCTURAL CHARACTERISTICS

- **Pump body:** Stainless steel 304
- **Motor Housing:** Aluminium
- **Coil wire:** Copper
- **Impeller:** PPO
- **Diffuser:** PPO
- **Bearing:** C&U/NSK/SKF

- **Insulation class:** B / F
 - **Protection class:** IP44 / IP54
 - **Mechanical seal:** Carbon-ceramic/Stainless steel
 - **Shaft:** 45# Steel / Stainless steel 420
- Single phase motor with Thermal protector



TECHNICAL DATA AT 50Hz

Model	Power		Max. Flow (L/min)	Max. Head (m)	Max. Such (m)	Speed (r/min)	Pipe Size (Inch)	PACKAGE DIMENSIONS & G. W.				
	KW	HP						A	B	H	kg	Qty/20F
SP-60	0.37	1/2	42	35	9	2850	1"x1"	420	220	230	9.5	1420
SP-80	0.55	3/4	46	40			1"x1"	420	220	230	10.5	1420
SP-100	0.75	1	52	45			1"x1"	420	220	230	11.5	1420

110V, 110V/220V 60Hz etc. Models are available on request.

OVERALL & INSTALLATION DIMENSIONS

Model	DIMENSIONS (mm)												
	DNA		DNM		a	b	c	d	e	f	g	h	i
	Inch	mm	Inch	mm									
SP-60	1"	25	1"	25	380	190	95	194	160	8	105	56	200
SP-80	1"	25	1"	25	380	190	95	194	160	8	105	56	200
SP-100	1"	25	1"	25	380	190	95	194	160	8	105	56	200



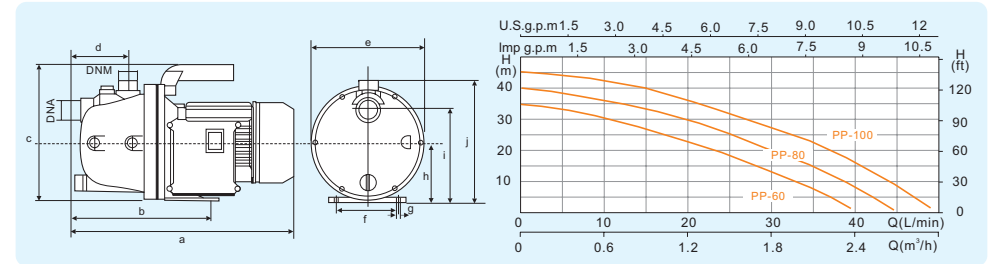
PP Series self-priming pump

PP Series pump with plastic pump body is a jet pump with full lift self-priming pump which is consisted of centrifugal pump and jet nozzle. These series pumps possess certain flow quantity, higher head. It could lift the water to 9 meters of vacuum height. This series pump is suitable for using on water withdraw of household, water supply of high building, irrigation of garden and farm, etc.

STRUCTURAL CHARACTERISTICS

- **Pump body:** Techno-polymer
- **Coil wire:** Copper
- **Impeller:** PPO
- **Diffuser:** PPO
- **Bearing:** C&U/NSK/SKF

- **Insulation class:** B / F
 - **Protection class:** IP44 / IP54
 - **Mechanical seal:** Carbon-ceramic/Stainless steel
 - **Shaft:** 45# Steel / Stainless steel 420
- Single phase motor with Thermal protector



TECHNICAL DATA AT 50Hz

Model	Power		Max. Flow (L/min)	Max. Head (m)	Max. Such (m)	Speed (r/min)	Pipe Size (Inch)	PACKAGE DIMENSIONS & G. W.				
	KW	HP						A	B	H	kg	Qty/20F
PP-60	0.37	1/2	40	35	9	2850	1"x1"	410	220	220	9.0	1540
PP-80	0.55	3/4	45	40			1"x1"	410	220	220	10.0	1540
PP-100	0.75	1	50	45			1"x1"	410	220	220	11.0	1540

110V, 110V/220V 60Hz etc. Models are available on request.

OVERALL & INSTALLATION DIMENSIONS

Model	DIMENSIONS (mm)													
	DNA		DNM		a	b	c	d	e	f	g	h	i	j
	Inch	mm	Inch	mm										
PP-60	1"	25	1"	25	360	190	198	95	194	160	8	105	160	208
PP-80	1"	25	1"	25	388	190	198	95	194	160	8	105	160	208
PP-100	1"	25	1"	25	388	190	198	95	194	160	8	105	160	208

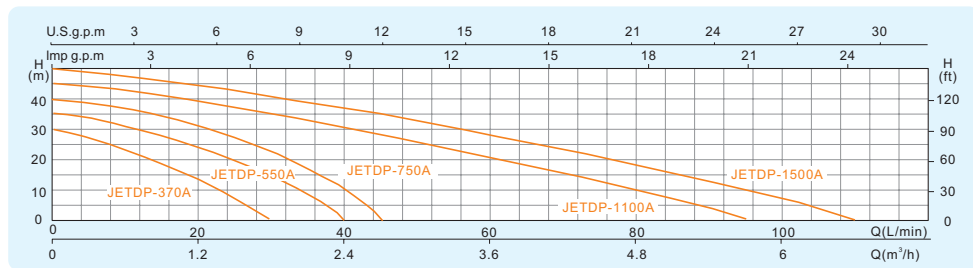


JETDP Series Self-Priming Deep Well Pump

JETDP series pump is suitable for deep wells. Self-priming is achieved using an ejector, housed in the jet body, which can be installed directly on the pump body or more often lowered in a well and connected the pump body with two pipes. The whole delivery produced by the closed centrifugal impeller is sent only with the delivery opening. The remaining (driving) water is re-circulated through the ejector, which is connected to the suction chamber where it generates the necessary vacuum to draw up water from the point where the jet body is immersed. The water from the jet body opening mixes in the diffuser with re-circulating water from the pump, thus increasing its pressure at the expense of the re-circulating water, and it is drawn into the pump through the suction pipe.

STRUCTURAL CHARACTERISTICS

- **Pump body:** Cast Iron
- **Coil wire:** Copper
- **Impeller:** Brass
- **Diffuser:** PPO / Cast Iron
- **Bearing:** C&U/NSK/SKF
- **Insulation class:** B / F
- **Protection class:** IP44 / IP54
- **Mechanical seal:** Carbon-ceramic/Stainless steel
- **Shaft:** 45# Steel / Stainless steel 420
Single phase motor with Thermal protector



TECHNICAL DATA AT 50Hz

Model	Power		Voltage (V)	Current (A)	Max.Flow (L/min)	Max.Head (m)	Max.Suction (m)	Pipe Diameter (inch)	Overall Dimension (cm)	Weight (kg)	Qty/20Ft
	KW	HP									
JDWDP-370A	0.37	1/2	220	2.6	40	30	15	1.25"x1 "x1 "	43.6x30.3x23	16.7	1400
JDWDP-550A	0.55	3/4	220	3.6	45	35	20	1.25"x1 "x1 "	43.6x30.3x23	17.6	1400
JDWDP-750A	0.75	1	220	4.8	50	40	25	1.25"x1 "x1 "	43.6x30.3x23	18	1400
JETDP-370A	0.37	1/2	220	2.6	40	30	15	1.25"x1 "x1 "	43.6x30.3x23	16.7	1400
JETDP-550A	0.55	3/4	220	3.6	45	35	20	1.25"x1 "x1 "	43.6x30.3x23	17.6	1400
JETDP-750A	0.75	1	220	4.8	50	40	25	1.25"x1 "x1 "	43.6x30.3x23	18	1400
JETDP-1100A	1.1	1.5	220	6.7	95	45	20	1.25"x1 "x1 "	55.8x27.4x32	32	640
JETDP-1500A	1.5	2	220	8.8	110	50	30	1.25"x1 "x1 "	55.8x27.4x32	34	640

110V, 110V/220V 60Hz etc. Models are available on request.



AUTO Series Automatic Booster System

AUTO series automatic booster systems consist of a water pump, an airtight pressure tank, a pressure gauge and a pressure switch. Most of water pump in this catalogue can be composed and become automatic booster system. The pressure tank with a non-toxic rubber membrane, or called pressure vessel, has been pre-filling with air pressure of about 0.12Mpa before leaving the factory. These system give suitable mains water pressure as required by modern domestic appliances and industrial applications, and will ensure enough water to supply all user's outlets.

STRUCTURAL CHARACTERISTICS

- **Pressure Tank:** Steel or Stainless steel
- **Coil wire:** Copper
- **Impeller:** Brass
- **Diffuser:** PPO/Cast Iron
- **Bearing:** C&U/NSK/SKF
- **Insulation class:** B / F
- **Protection class:** IP44 / IP54
- **Mechanical seal:** Carbon-ceramic/Stainless steel
- **Shaft:** 45# Steel / Stainless steel 420
Single phase motor with Thermal protector

TECHNICAL DATA AT 50Hz

Model	Power		Voltage (V)	Current (A)	Max.Flow (L/min)	Max.Head (m)	Max.Suction(m)		Pipe Diameter (inch)	Overall Dimension (cm)	Weight (kg)	Qty/20Ft
	KW	HP					ON	OFF				
AUTOSP-80	0.37	1/2	220	2.6	40	35	1.4	2.6	1"x1 "	54x28.5x53	14	400
AUTOSP-60	0.55	3/4	220	3.6	45	40			1"x1 "	54x28.5x53	14.7	400
AUTOSP-100	0.75	1	220	4.8	50	45			1"x1 "	54x28.5x53	15.5	400
AUTOJET-60S	0.37	1/2	220	2.6	40	35			1"x1 "	54x28.5x53	19.1	400
AUTOJET-80S	0.55	3/4	220	3.6	45	40			1"x1 "	54x28.5x53	19.8	400
AUTOJET-100S	0.75	1	220	4.8	50	45			1"x1 "	54x28.5x53	20.6	400

110V, 110V/220V 60Hz etc. Models are available on request.



AUJETDP Series Automatic Deep Well Pump

AUJETDP series pumps are the out-mixing automatic supplying water systems which are composed of centrifugal pump, pressure tank, pressure switch, nozzle and sluice-gate. The system which is easy and safe for operation has correspondent capacity and higher power of self-priming. The maximum suction depth of the well is 30m. It is applicable to use in houses, especially, when water supply is requested from several points in the same time and equal to a small water tower. AUJETDP/AUDP series pumps have high suction head. They'll show you the modern science and technology.

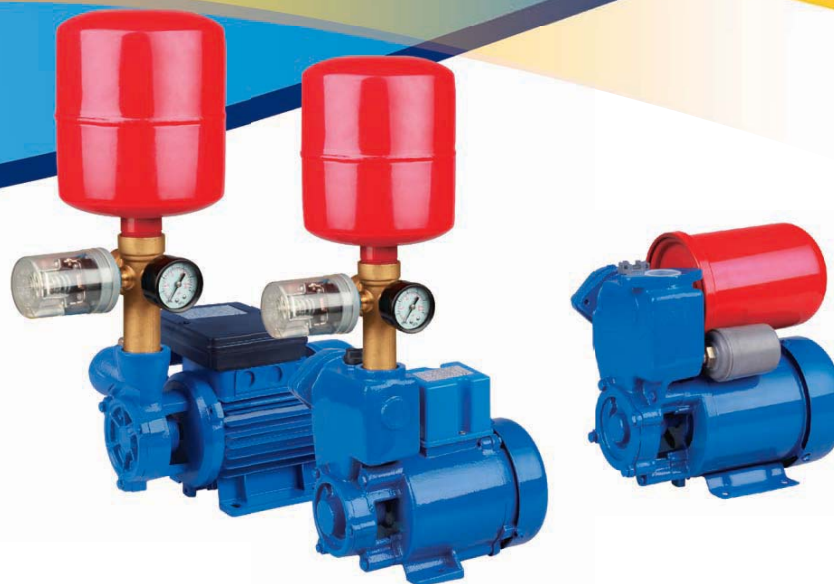
STRUCTURAL CHARACTERISTICS

- **Pressure Tank** : Steel or Stainless steel
- **Pump body**: Cast Iron
- **Coil wire**: Copper
- **Impeller**: Brass
- **Diffuser**: PPO / Cast Iron
- **Bearing**: C&U/NSK/SKF
- **Insulation class**: B / F
- **Protection class**: IP44 / IP54
- **Mechanical seal**: Carbon-ceramic / Stainless steel
- **Shaft**: 45# Steel / Stainless steel 420
Single phase motor with Thermal protector

TECHNICAL DATA AT 50Hz

Model	Power		Voltage (V)	Current (A)	Max. Flow (L/min)	Max. Head (m)	Max. Suction(m)		Pipe Diameter (inch)	Overall Dimension (cm)	Weight (kg)	Qty/20Ft
	KW	HP					ON	OFF				
AUJDWDP-370A	0.37	1/2	220	2.6	30	30	1.4	2.6	1.25"x1 " x1 "	49.5x30.7x25.5 Tank41x27x27	20.6	470
AUJDWDP-550A	0.55	3/4	220	3.6	40	35			1.25"x1 " x1 "		21.3	470
AUJDWDP-750A	0.75	1	220	4.8	45	40			1.25"x1 " x1 "		31.9	470
AUJETDP-370A	0.37	1/2	220	2.6	30	30			1.25"x1 " x1 "	20.6	470	
AUJETDP-550A	0.55	3/4	220	3.6	40	35			1.25"x1 " x1 "	21.3	470	
AUJETDP-750A	0.75	1	220	4.8	45	40			1.25"x1 " x1 "	31.9	470	
AUJETDP-1100A	1.1	1.5	220	6.7	95	45	1.25"x1 " x1 "	36	420			
AUJETDP-1500A	1.5	2	220	8.8	110	50	1.25"x1 " x1 "	38	420			

110V , 110V/220V 60Hz etc. Models are available on request.



AUDB AUGP AUPS Series Automatic Clean Water Pump

Series Automatic Clean Water Pump

AUDB AUGP AUPS Series automatic clean water pump is an automatic supplying water system which is composed of an electric clean water pump , pressure tank ,pressure switch , pressure gauge. The system which is easy and safe for operation has correspondent capacity . It is applicable to use in houses especially, when water supply is requested to a certain height range as a small water tower.

STRUCTURAL CHARACTERISTICS

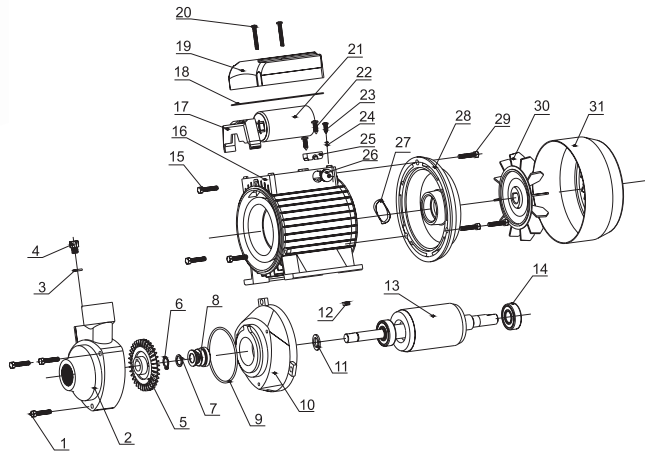
- **Pressure Tank** : Steel
- **Pump body**: Cast Iron
- **Coil wire**: Copper
- **Impeller**: Brass
- **Bearing**: C&U/NSK/SKF
- **Insulation class**: B / F
- **Protection class**: IP44 / IP54
- **Mechanical seal**: Carbon-ceramic/Stainless steel
- **Shaft**: 45# Steel / Stainless steel 420
Single phase motor with Thermal protector

TECHNICAL DATA AT 50Hz

Model	Power		Voltage (V)	Current (A)	Max. Flow (L/min)	Max. Head (m)	Max. Suction(m)		Pipe Diameter (inch)	Overall Dimension (cm)	Weight (kg)	Qty/20Ft
	KW	HP					ON	OFF				
AUDB-125A	0.125	1/6	220	1.4	30	18	1.1	1.8	1 " x1 "	20x23x46	5.9	1570
AUGP-125A	0.125	1/6	220	1.4	30	18			1 " x1 "	29x18x38.5	8.5	1570
AUPS-130A	0.37	1/2	220	1.6	35	18			1 " x1 "	31x23x29	9.5	1570

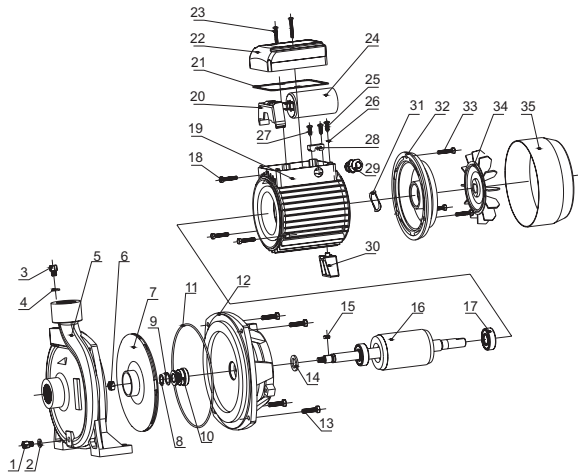
110V , 110V/220V 60Hz etc. Models are available on request.

QB Series Electric Clean Water Pump



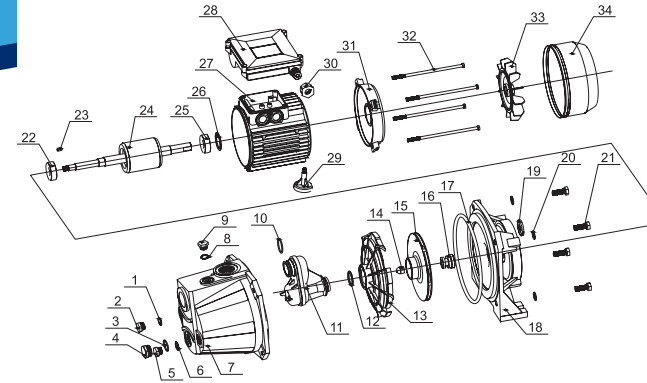
Number	DESCRIPTION
1	Pump Body Screw
2	Pump Body
3	"O" Ring For Filling Plug
4	Filling Plug
5	Impeller
6	Circlip
7	Plain Washer
8	Mechanical Seal
9	"O" Ring For Pump Body
10	Motor Bracket
11	Splash Guard
12	Key
13	Rotor
14	Bearing
15	Motor Bracket-Motor Case Screw
16	Motor Case With Winding
17	Terminal Board
18	Waterproof Seal
19	Terminal Cover
20	Bolt
21	Capacitor
22	Screw For Cable Presser
23	Screw For Ground
24	Toothed Washer
25	Cable Presser
26	Waterproof Fairlead
27	Adjusting Ring
28	Motor Cover
29	Motor Cover-Motor Case Screw
30	Fan
31	Fan Cover

CPM Series Centrifugal Pump



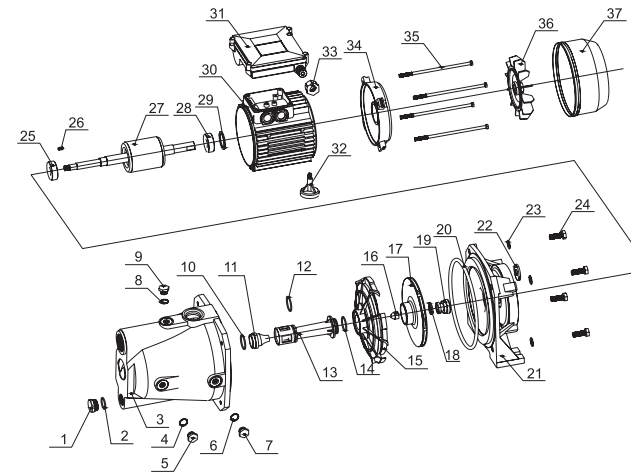
Number	DESCRIPTION
1	Drain Plug
2	"O" Ring For Drain Plug
3	"O" Ring For Filling Plug
4	Filling Plug
5	Pump Body
6	Nut For Impeller
7	Impeller
8	Snap Ring
9	Plain Washer
10	Mechanical Seal
11	"O" Ring For Pump Body
12	Motor Bracket
13	Motor bracket-Pump Body Screw
14	Splash Guard
15	Key
16	Rotor
17	Bearing
18	Motor Bracket-motor Case Screw
19	Motor Case With winding
20	Terminal Board
21	Waterproof Seal
22	Terminal Cover
23	Bolt
24	Capacitor
25	Screw For Ground
26	Toothed Washer
27	Screw For Cable Presser
28	Cable presser
29	Waterproof Fairlead
30	Foot
31	Adjusting Ring
32	Motor Cover
33	Motor Cover-Motor Case Screw
34	Fan
35	Fan Cover

JET-S Series Self-Priming Pump



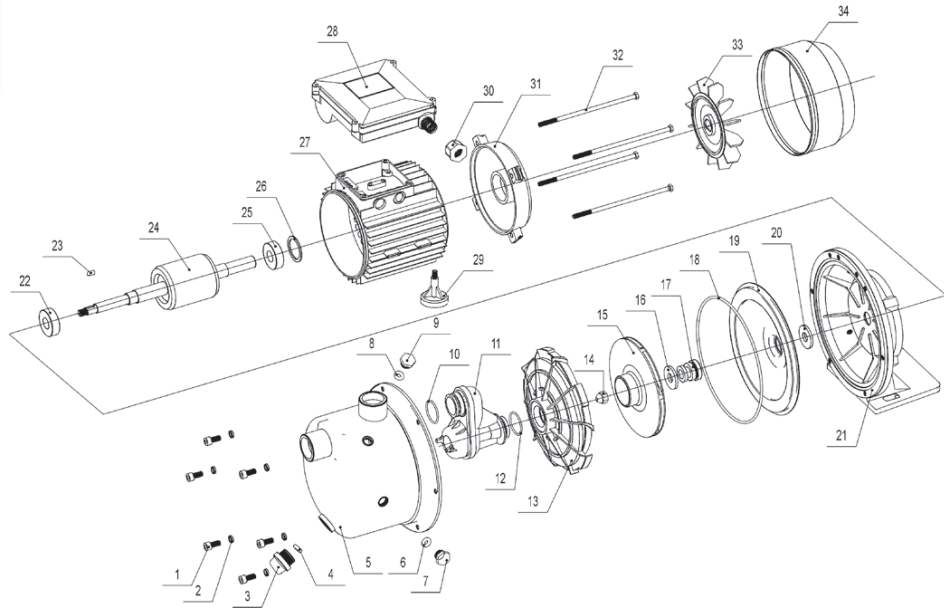
Number	DESCRIPTION
1	"O" Ring For Gauge Plug
2	Gauge Plug
3	"O" Ring For Drain Plug
4	Drain Plug
5	Switch Plug
6	"O" Ring For Switch Plug
7	Pump Body
8	"O" Ring For Filling Plug
9	Filling Plug
10	"O" Ring For Venturi Tube
11	Venturi Tube
12	"O" Ring For Diffuser
13	Diffuser
14	Impeller Stop Nut
15	Impeller
16	Mechanical Seal
17	"O" Ring For Pump Body
18	Motor Bracket
19	Splash Guard
20	Plain Washer
21	Motor Bracket-Pump Body Screw
22	Bearing
23	Key
24	Rotor
25	Bearing
26	Adjusting Ring
27	Motor Case With Winding
28	Terminal Box
29	Foot
30	Cable Presser
31	Motor Cover
32	Motor Tie-Rod
33	Fan
34	Fan Cover

JET-L Series Self-Priming Pump



Number	DESCRIPTION
1	Drain Plug
2	"O" Ring For Drain Plug
3	Pump Body
4	"O" Ring For Gauge plug
5	Gauge Plug
6	"O" Ring For Switch Plug
7	Switch Plug
8	"O" Ring For Filling Plug
9	Filling Plug
10	"O" Ring For Nozzle
11	Nozzle
12	"O" Ring For Venturi Tube
13	Venturi Tube
14	"O" Ring For Diffuser
15	Diffuser
16	Impeller Stop Nut
17	Impeller
18	Plain Washer
19	Mechanical Seal
20	"O" Ring For Pump Body
21	Motor Bracket
22	Splash Guard
23	Plain Washer
24	Motor Bracket-Pump Body Screw
25	Bearing
26	Key
27	Rotor
28	Bearing
29	Adjusting Ring
30	Motor Case With Winding
31	Terminal Box
32	Foot
33	Cable Presser
34	Motor Cover
35	Motor Tie-Rod
36	Fan
37	Fan Cover

SP Series Stainless-Steel Self-Priming Pump



Number	DESCRIPTION	Number	DESCRIPTION	Number	DESCRIPTION
1	Motor Bracket-Pump Body Screw	13	Diffuser	25	Bearing
2	Spring Washer	14	Impeller Stop Nut	26	Adjusting Ring
3	Drain Plug	15	Impeller	27	Motor Case With Winding
4	"O" Ring For Drain Plug	16	Snap Ring	28	Terminal Box
5	Pump Body	17	Mechanical Seal	29	Foot
6	"O" Ring For Switch Plug	18	"O" Ring For Pump Body	30	Cable Presser
7	Switch Plug	19	Mechanical Seal Disc Holder	31	Motor Cover
8	"O" Ring For Gauge Plug	20	Splash Guard	32	Motor Tie-Rod
9	Gauge Plug	21	Motor Bracket	33	Fan
10	"O" Ring For Venturi Tube	22	Bearing	34	Fan Cover
11	Venturi Tube	23	Key		
12	"O" Ring For Diffuser	24	Rotor		

Accessories



Fan(plastic)



Terminal board



A



B



C



D

Terminal box (plastic)



Capacitor



Nozzle & Venturi Tube



Impeller-1(Brass)



Impeller-2(Brass)



Impeller-3(PPO)



Impeller-4 (Stainless steel)

Impeller



A



B

Bearing



Mechanical seal



Thermal Protector



On/off switch



Centrifugal switch



MC/6



MR/6

Pressure gauge



Pressure switch-1



Pressure switch-2



Pressure switch-3



Pressure switch-4

Pressure switch



Pressure switch-5



High pressure switch-1



High pressure switch-2

Pressure switch



Float control switch

Accessories



Flexible Hose



Float switch-1



Float switch-2



Membrane



Stainless steel Brass 3-way 4-way 5-way

Foot valve

Brass connector



Jet nozzle Nozzle Connector Ejector-1 Ejector-2



Vertical pressure tank without gasbag (2L)



Vertical pressure tank with gasbag (2L)



Steel Stainless steel

Vertical pressure tank with gasbag (8L, 12L, 19L)



Vertical pressure tank with gasbag (19L, 24L)



19L
24L
36L
50L
60L
80L
100L

Horizontal pressure tank with gasbag



19L
24L
36L
50L
60L
80L
100L

Horizontal pressure tank with gasbag



50L
60L
80L
100L

Vertical pressure tank with gasbag



Eu-1



Eu-2



SW-1



IT-1



BR-1



IS-2



AR-1



KO-2



SA-1



AU-1



AM-1



AM-2

The Colour Series

Yellow Series

1026	1023	1018	1016	1028
Luminous yellow	Traffic yellow	Zinc yellow	Sulfur yellow	Melon yellow
1007	2000	2007	2009	8023
Daffodil yellow	Yellow orange	Luminous orange	Traffic orange	Orange brown

Red Series

4003	4011	3024	3018	3020
Heather violet	Pearl violet	Luminous red	Strawberry red	Traffic red
3031	3027	3000	3001	3011
Orient red	Raspberry red	Flame red	Signal red	Brown red

Green Series

6018	6017	6001	6016	6026
Yellow green	May green	Emerald green	Turquoise green	Opal green
6029	6032	6035	6005	5021
Mint green	Signal green	Pearl green	Moss green	Water green

Blue Series

5026	5013	5002	5012	5015
Pearl night blue	Cobalt blue	Ultramarine blue	Light blue	Sky blue
5017	5005	5010	5009	5000
Traffic blue	Signal blue	Gentian blue	Azure blue	Violet blue

Grey Series

9022	9006	9007	7031	9017
Pearl light grey	White aluminium	Grey aluminium	Blue grey	Traffic black